



ILS | **INTERNATIONAL[®]
LASHING SYSTEMS**

CATALOGUE

ILS International Lashing Systems
Vosseschijnstraat 30 - Haven 140
2030 Antwerp
Belgium

Warehouse
Mulhouseelaan Zuid - Haven 142
2030 Antwerp
Belgium



Contact

<i>Phone</i>	<i>+32 3 234 28 80</i>
<i>Fax</i>	<i>+32 3 225 08 68</i>
<i>Email</i>	<i>sales@ils.be</i>
<i>Website</i>	<i>www.ils.be</i>

***A WORLD
PLAYER
SPECIALIZED
IN CARGO
SECURING
TECHNOLOGY.***

CATALOGUE

➤ HISTORY

***WE'VE KNOWN
THE TWISTLOCKS
SINCE 1974***

Just like the port of Antwerp, where ILS has its head office, our company boasts an interesting and rich history. Over 40 years ago, British traders set up shop at 't Eilandje (literally: "the Islet"), a characteristic harbor neighborhood in the North of Antwerp. And just as the port of Antwerp has evolved over the centuries into a leading world port and a major cargo hub, ILS has grown from a tiny warehouse selling all kinds of goods, into a world player specialized in cargo securing technology.

In 2017, we can honestly say we are a world-class supplier of lashing materials, ensuring plain sailing for container, multipurpose and roro-ships hitting the waters. Our motto? Keeping your cargo safe and secure by providing quality products at the best price.

Our experienced team of professionals is there to advise shipowners, shipyards and design companies alike. We will make sure your ship is on course in no time.

➤ MISSION STATEMENT

EVERYTHING YOU NEED TO RUN A TIGHT SHIP

*As a professional in the marine and offshore industry, we know you're not just going to hit any port in a storm. Well, you've come to the right place. We've got **decades of experience** in the design and manufacturing of lashing products. Our warehouse is stocked to the brim with the best products on the market. Literally everything you need to run a tight ship. And at ILS, we take pride in getting it all over to you **ahead of time.***

LARGE STOCK

ALL UNDER ONE ROOF

*Imagine everything you may need to secure cargo onto a ship. All kinds of cargo, for that matter. Hard to imagine? Not for us. We've got it **all under one roof**. Our warehouse holds a very large stock of all lashing-related products. That is, if they meet our **high quality** standards. Whether you need twistlocks, chains, levers, D-rings, lashing bars, etc.: we've got you covered.*

FAST DELIVERY

QUICK AND EFFICIENT

*Our commitment to a fast delivery will keep you on course. Over the years, ILS has developed an **extensive network** of agents and stockists in all major ports and shipbuilding nations around the world. Our network ensures the best service, no matter your location. Whether you require spare parts, a few additions to your equipment, you can count on us for a **quick and efficient service**.*

BEST PRICE

THE BEST PRODUCTS AT THE BEST PRICE

*In an industry where safety and security are non-negotiable, we refuse to compromise on quality. Period. Our products are certified by a host of classification societies, such as Germanischer Lloyd, Lloyd Register, Bureau Veritas, American Bureau of Shipping, Det Norske Veritas, and so on. However, the highest quality doesn't have to come at the highest price. At ILS, we aim to provide **the best products at the best price**. How's that for smooth sailing?*



TABLE OF CONTENT

13 *DECKSOCKETS AND D-RINGS*

33 *STACKING CONES AND TWISTLOCKS*

51 *LASHING BARS AND TURNBUCKLES*

57 *SUPPORTS AND BRIDGEFITTINGS*

63 *ELEPHANT FOOT SOCKETS AND CARLASHING SOCKETS*

69 *LASHING CHAINS, CHAINTURNBUCKLES AND TENSION LEVERS*

87 *WEBLASHINGS, TRAILERHORSES AND CHOCKS*

101 *CORNERCASTINGS*



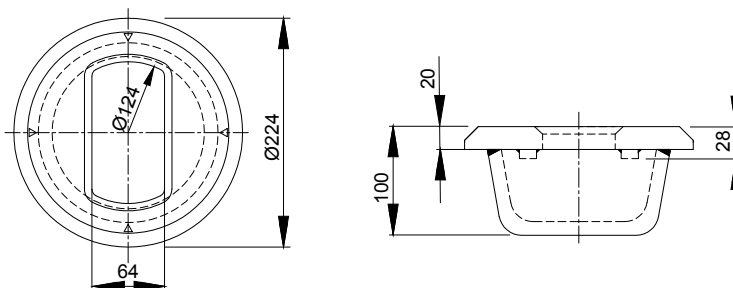
CHAPTER 1

***DECKSOCKETS
AND D-RINGS***

Reference: **DF-71-W**
 Description: **SINGLE FLUSH ISO DECKSOCKET**
 Weight [kg]: 8,6
 Material: Steel

Breaking load Tension [kN]: 500
 Breaking load Shear [kN]: 420

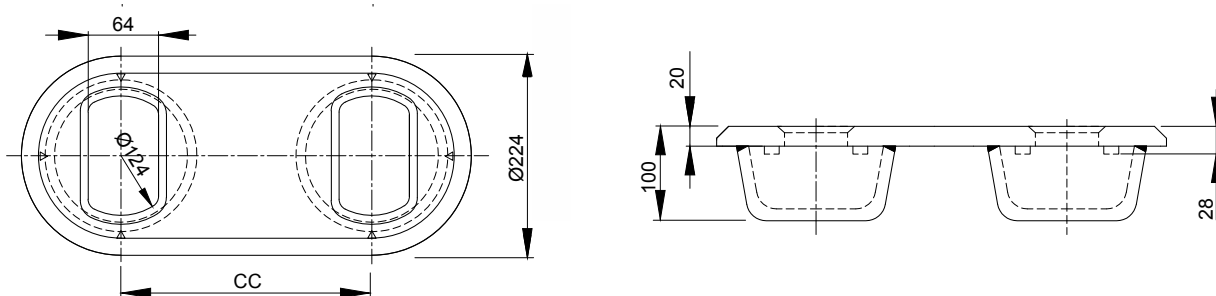
Finish: Shot blasted + Weldable primer
 Remarks: Fixed container foundation can be welded in tweendecks.
 Other socket dimensions are available as well. Plastic plugs for the ISO-holes can also be requested.



Reference: **DF-72(25)-V**
 Description: **DOUBLE TRANSVERSAL FLUSH ISO DECKSOCKET - CC=203mm**
 Weight [kg]: 17,2
 Material: Steel

Breaking load Tension [kN]: 500
 Breaking load Shear [kN]: 420

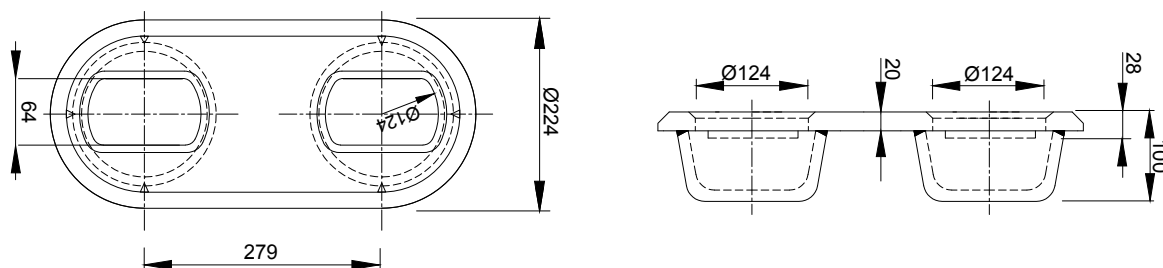
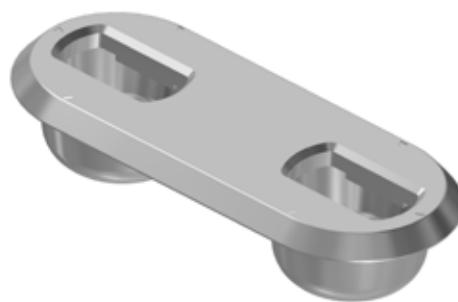
Finish: Shot blasted + Weldable primer
 Remarks: Fixed container foundation can be welded in tweendecks.
 Other socket dimensions are available as well.
 Plastic plugs for the ISO-holes can also be requested.
 Model DF-72(38)-V (CC=216mm) and DF-72(80)-V (CC=258mm) also available.
 Other CC distances upon request.



Reference: **DF-73(76)-V**
 Description: **DOUBLE LONGITUDINAL FLUSH ISO DECKSOCKET**
 Weight [kg]: 17.3
 Material: Steel

Breaking load Tension [kN]: 500
 Breaking load Shear [kN]: 420

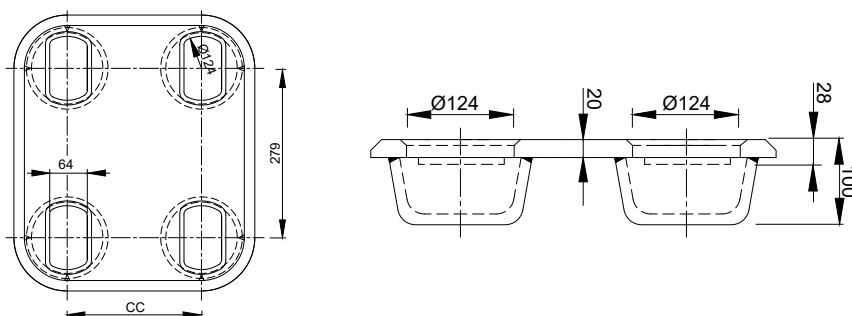
Finish: Shot blasted + Weldable primer
 Remarks: Fixed container foundation can be welded in tweendecks.
 Other socket dimensions are available as well.
 Plastic plugs for the ISO-holes can also be requested.



Reference: **DF-74(25)-V**
 Description: **QUADRUPLE FLUSH ISO DECKSOCKET - CC=203mm**
 Weight [kg]: 42.3
 Material: Steel

Breaking load Tension [kN]: 500
 Breaking load Shear [kN]: 420

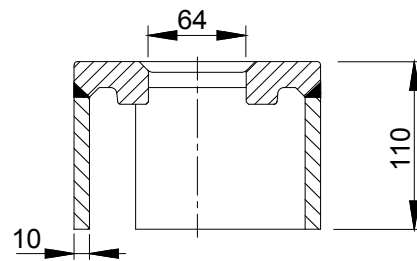
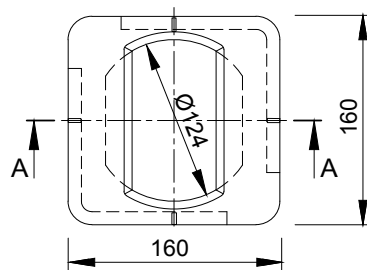
Finish: Shot blasted + Weldable primer
 Remarks: Fixed container foundation can be welded in tweendecks.
 Model DF-74(80)-V (CC=258mm) also available.
 Other CC distances on request.



Reference: **DF-41**
 Description: **SINGLE RAISED ISO DECKSOCKET**
 Weight [kg]: 6.2
 Material: Steel

Breaking load Tension [kN]: 500
 Breaking load Shear [kN]: 420

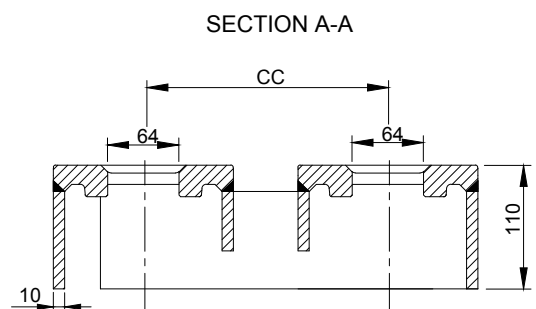
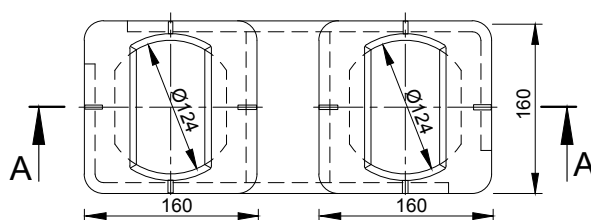
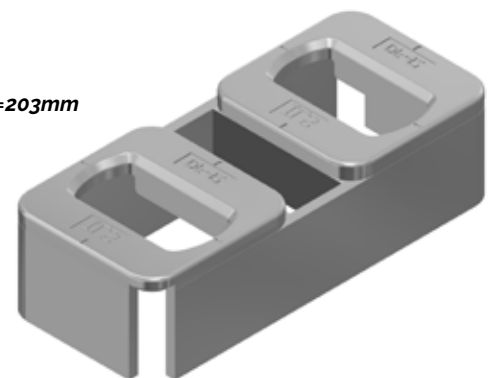
Finish: Shot blasted + Weldable primer
 Remarks: Fixed container foundation can be welded on the hatch cover and deck. Other heights are available on request. Topplate of 28mm is also available: DF-41[28]



Reference: **DF-42(25)**
 Description: **DOUBLE TRANSVERSAL RAISED ISO DECKSOCKET - CC=203mm**
 Weight [kg]: 12.4
 Material: Steel

Breaking load Tension [kN]: 500
 Breaking load Shear [kN]: 420

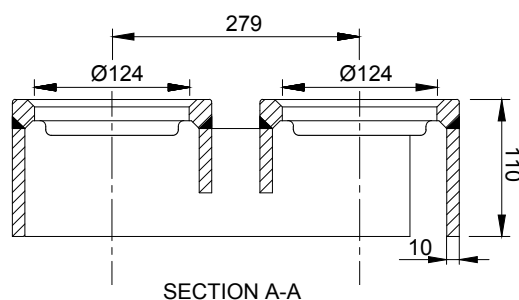
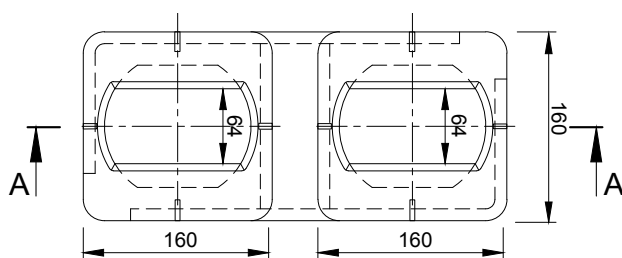
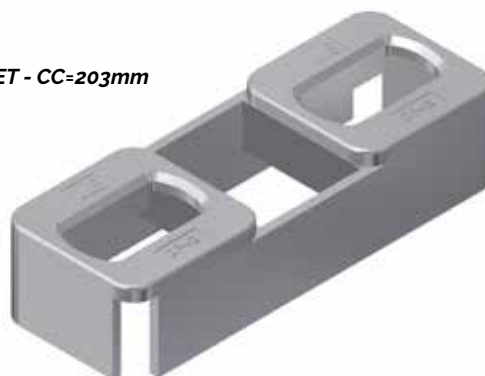
Finish: Shot blasted + Weldable primer
 Remarks: Fixed container foundation can be welded on the hatch cover and deck. Other socket dimensions are available as well. Plastic plugs for the ISO-holes can also be requested. Model DF-42(38) (CC=216mm) and DF-42(80)-V (CC=258mm) also available. Other CC distances upon request



Reference: **DF-43(76)**
 Description: **DOUBLE LONGITUDINAL RAISED ISO DECKSOCKET - CC=203mm**
 Weight [kg]: 13.3
 Material: Steel

Breaking load Tension [kN]: 500
 Breaking load Shear [kN]: 420

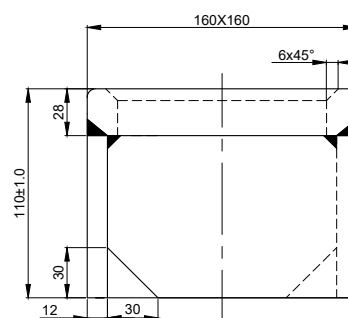
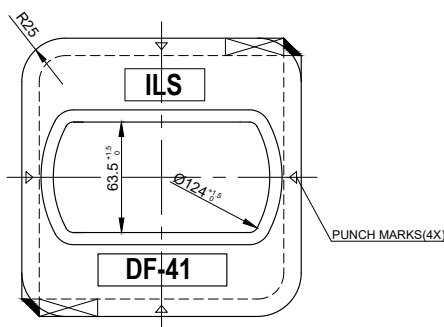
Finish: Shot blasted + Weldable primer
 Remarks: Fixed container foundation can be welded on the hatch cover and deck. Other socket dimensions are available as well.



Reference: **DF-41-LIFT**
 Description: **LIFTING RAISED ISO DECKSOCKET**
 Weight [kg]: 8,0
 Material: Steel

Breaking load Tension [kN]: 500
 Breaking load Shear [kN]: 420

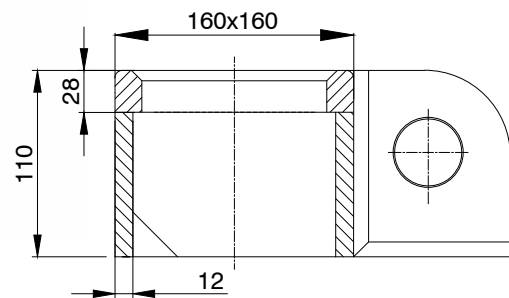
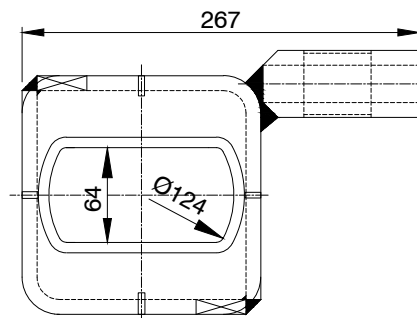
Finish: Shot blasted + Weldable primer
 Remarks: Lifts the hatch covers.



Reference: **DF-41-LIFT-E-L or R**
 Description: **LIFTING RAISED ISO DECKSOCKET WITH EYE**
 Weight [kg]: 12,0
 Material: Steel

Breaking load Tension [kN]: 500
 Breaking load Shear [kN]: 420

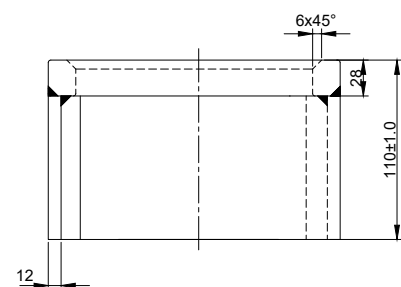
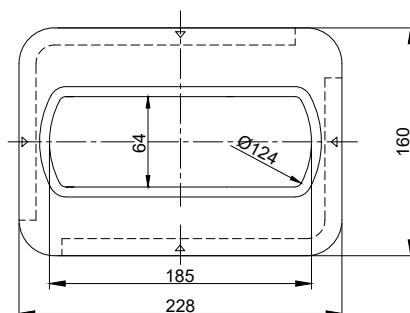
Finish: Shot blasted + Weldable primer
 Remarks: Fixed container foundation can be welded on the hatch cover.



Reference: **DF-41-E**
 Description: **ELONGATED RAISED ISO DECKSOCKET**
 Weight [kg]: 12,5
 Material: Steel

Breaking load Tension [kN]: 500
 Breaking load Shear [kN]: 420

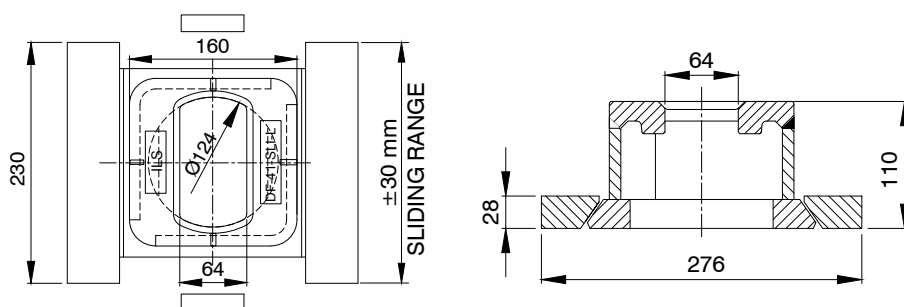
Finish: Shot blasted + Weldable primer
 Remarks: Fixed container foundation compensates movements of the hatch cover.



Reference: **DF-41-SLI-L**
 Description: **LONGITUDINAL SLIDING RAISED ISO DECKSOCKET**
 Weight [kg]: 14.5
 Material: Steel

Breaking load Tension [kN]: 500
 Breaking load Shear [kN]: 420

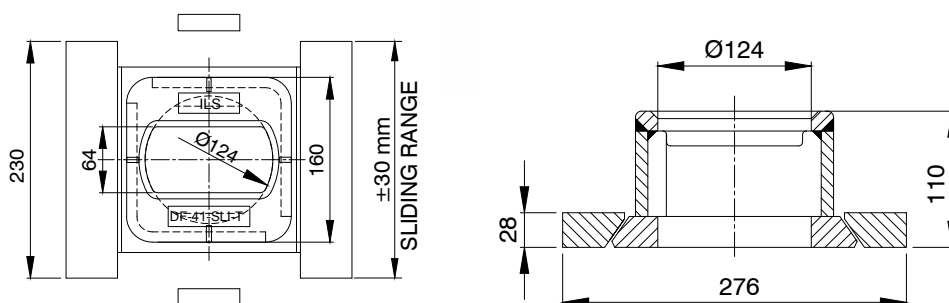
Finish: Shot blasted + Weldable primer
 Remarks: Fixed container foundation compensates movements of the hatch cover.



Reference: **DF-41-SLI-T**
 Description: **TRANSVERSAL SLIDING RAISED ISO DECKSOCKET**
 Weight [kg]: 14.5
 Material: Steel

Breaking load Tension [kN]: 500
 Breaking load Shear [kN]: 420

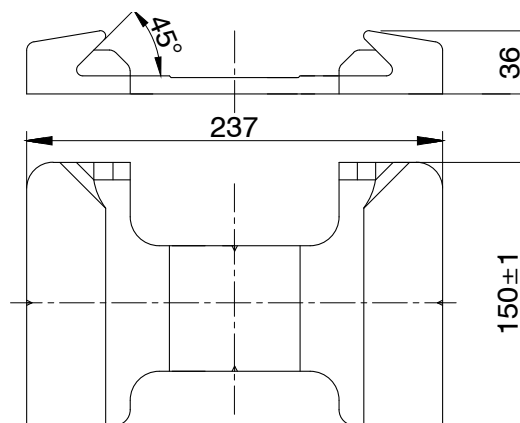
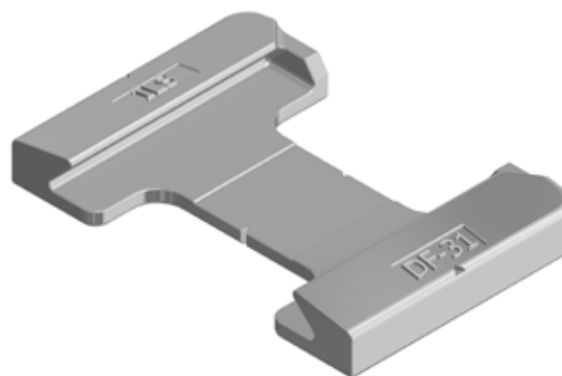
Finish: Shot blasted + Weldable primer
 Remarks: Fixed container foundation compensates movements of the hatch cover.



Reference: **DF-31**
Description: **SINGLE DOVETAIL DECKSOCKET 45°**
Weight [kg]: 3.7
Material: Precision cast steel

Breaking load Tension [kN]: 500
Breaking load Shear [kN]: 420

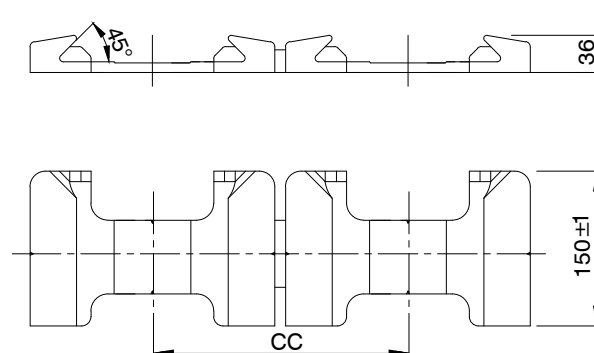
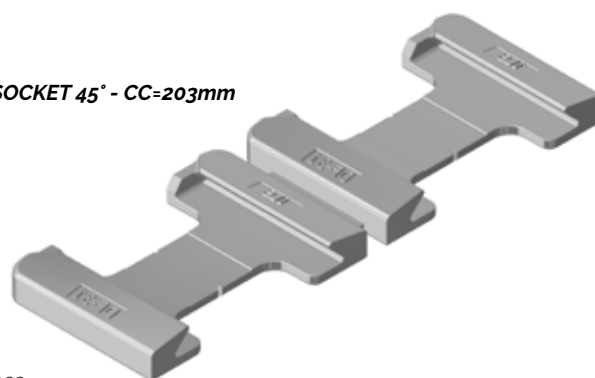
Finish: Shot blasted + Weldable primer
Remarks: Fixed container foundation can be welded on the hatch cover and deck. Elongated types are available as well.



Reference: **DF-32(25)**
Description: **DOUBLE TRANSVERSAL DOVETAIL DECKSOCKET 45° - CC=203mm**
Weight [kg]: 6.2
Material: Precision cast steel

Breaking load Tension [kN]: 500
Breaking load Shear [kN]: 420

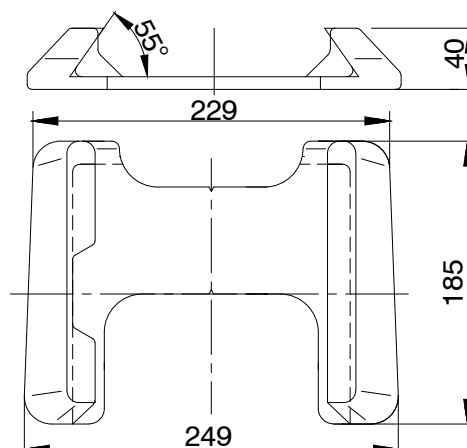
Finish: Shot blasted + Weldable primer
Remarks: Fixed container foundation can be welded on the hatch cover and deck. Elongated types are available as well. Model DF-32(80) (CC=258mm) also available. Other CC distances upon request.



Reference: **DF-31-55**
 Description: **SINGLE DOVETAIL DECKSOCKET 55°**
 Weight [kg]: 3.8
 Material: Precision cast steel

Breaking load Tension [kN]: 500
 Breaking load Shear [kN]: 420

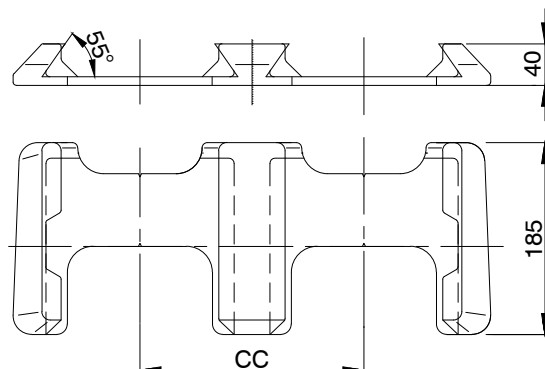
Finish: Shot blasted + Weldable primer
 Remarks: Fixed container foundation can be welded on the hatch cover and deck. Elongated types are available as well.



Reference: **DF-32-55(25)**
 Description: **DOUBLE TRANSVERSAL DOVETAIL DECKSOCKET 55° - CC=203mm**
 Weight [kg]: 6.2
 Material: Precision casting

Breaking load Tension [kN]: 500
 Breaking load Shear [kN]: 420

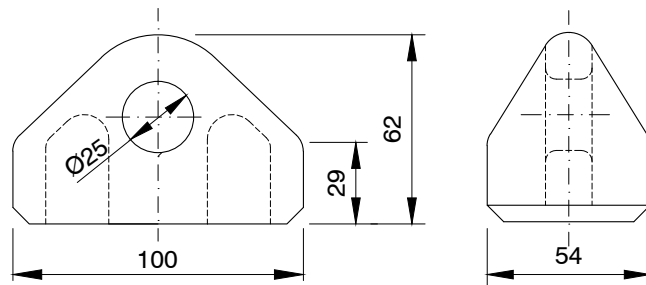
Finish: Shot blasted + Weldable primer
 Remarks: Fixed container foundation can be welded on the hatch cover and deck. Elongated types are available as well. Model DF-32(80)-V (CC=258mm) also available. Other CC distances upon request.



Reference: **GC-4**
 Description: **GUIDE CONE**
 Weight [kg]: 0,8
 Material: Drop forged steel

Breaking load Tension [kN]: -
 Breaking load Shear [kN]: 420

Finish: Shot blasted + Primer
 Remarks: Guide fittings welded on double bottom in between cell guides.
 Other types and dimensions are available as well.



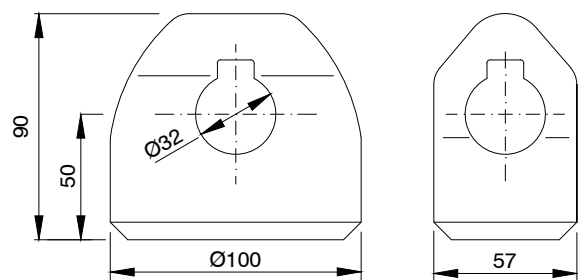
Reference: **GC-5**
 Description: **GUIDE CONE**
 Weight [kg]: 1,3
 Material: Drop forged steel

Breaking load Tension [kN]: -
 Breaking load Shear [kN]: 420

Finish: Shot blasted + Primer
 Remarks: Guide fittings welded on double bottom in between cell guides.
 Other types and dimensions are available as well.



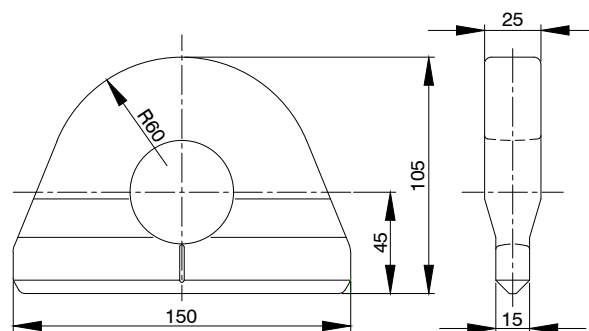
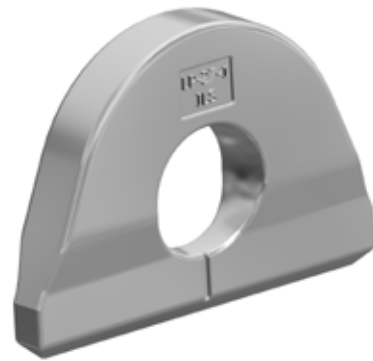
Blocking pin BP-01 also available.



Reference: **LP-27-1**
 Description: **SINGLE LASHING PLATE**
 Weight [kg]: 1,5
 Material: Forged steel

Breaking load Tension [kN]: 500
 Breaking load Shear [kN]: -

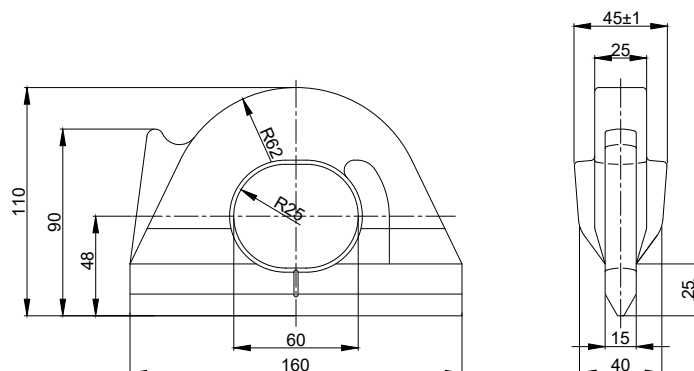
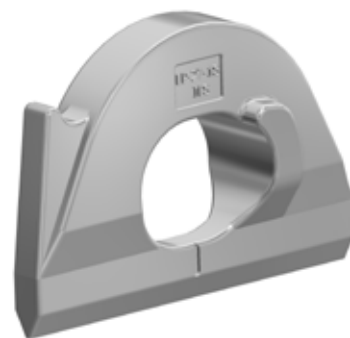
Finish: Shot blasted + Primer
 Remarks: Fixed lashing point for turnbuckles.
 Welded on deck.



Reference: **LP-27-1S**
 Description: **SINGLE LASHING PLATE WITH STOPPER**
 Weight [kg]: 2,0
 Material: Forged steel

Breaking load Tension [kN]: 500
 Breaking load Shear [kN]: -

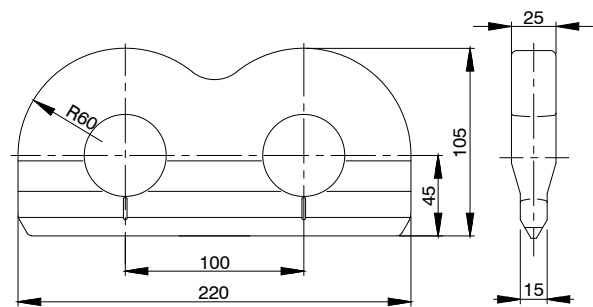
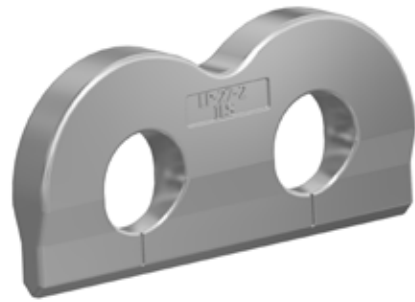
Finish: Shot blasted + Primer
 Remarks: Fixed lashing point for turnbuckles.
 Welded on deck.



Reference: **LP-27-2(100)**
 Description: **DOUBLE LASHING PLATE**
 Weight [kg]: 2,9
 Material: Forged steel

Breaking load Tension [kN]: 500
 Breaking load Shear [kN]: -

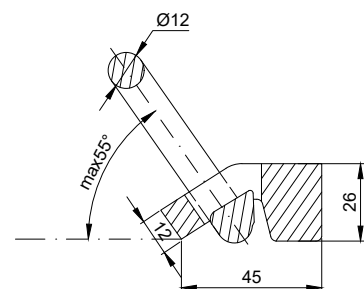
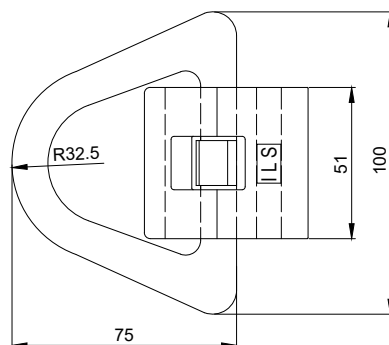
Finish: Shot blasted + Primer
 Remarks: Fixed lashing point for turnbuckles. Welded on deck.
 Model LP-27-2(200) also available.



Reference: **LP-06**
 Description: **CARLASHING D-RING 4T**
 Weight [kg]: 0,6
 Material: Forged steel

Breaking load Tension [kN]: 40
 Breaking load Shear [kN]: -

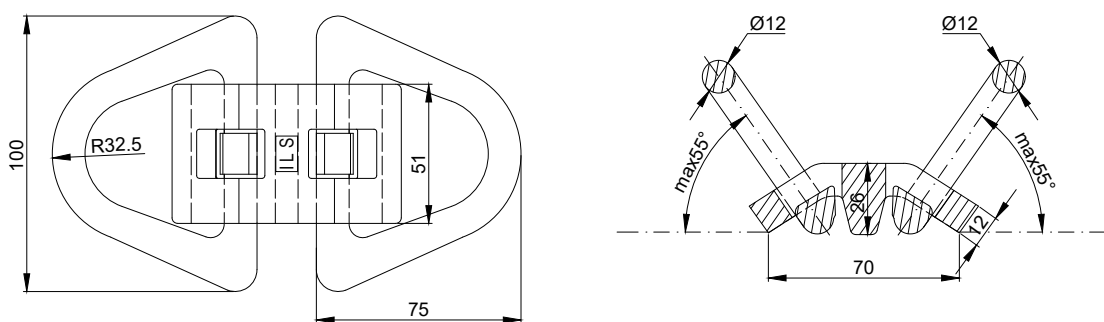
Finish: Self-coloured
 Remarks: Foldable lashing point for carlashing.



Reference: **LP-09**
 Description: **DOUBLE CARLASHING D-RING 4T**
 Weight [kg]: 0.95
 Material: Forged steel

Breaking load Tension [kN]: 2x40
 Breaking load Shear [kN]: -

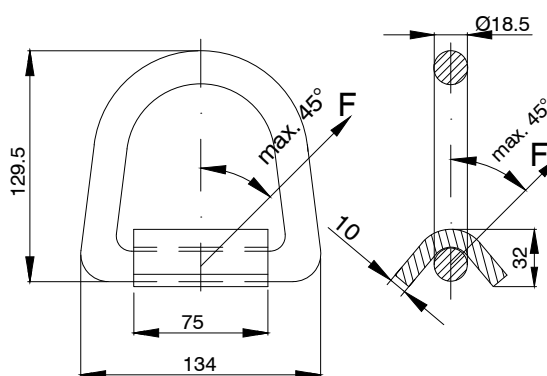
Finish: Self-coloured
 Remarks: Foldable lashing point for cartlashing.



Reference: **LP-13**
 Description: **D-RING 20T**
 Weight [kg]: 1.3
 Material: Drop forged ring + Bended steel plates

Breaking load Tension [kN]: 200
 Breaking load Shear [kN]: -

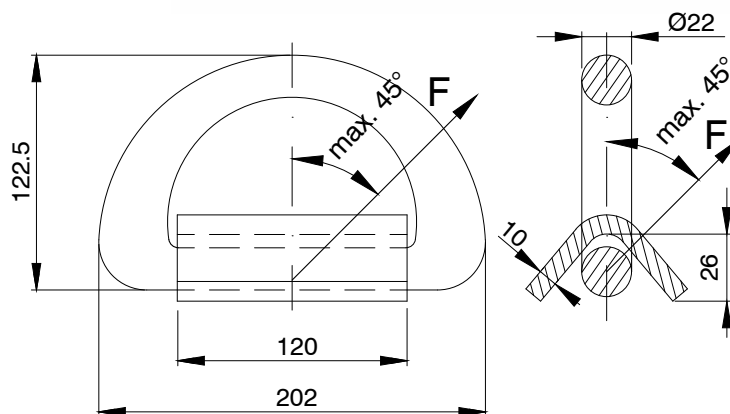
Finish: Self-coloured
 Remarks: Foldable lashing point on deck.



Reference: **LP-11**
 Description: **D-RING 36T**
 Weight [kg]: 2.7
 Material: Drop forged ring + Bended steel plates

Breaking load Tension [kN]: 360
 Breaking load Shear [kN]: -

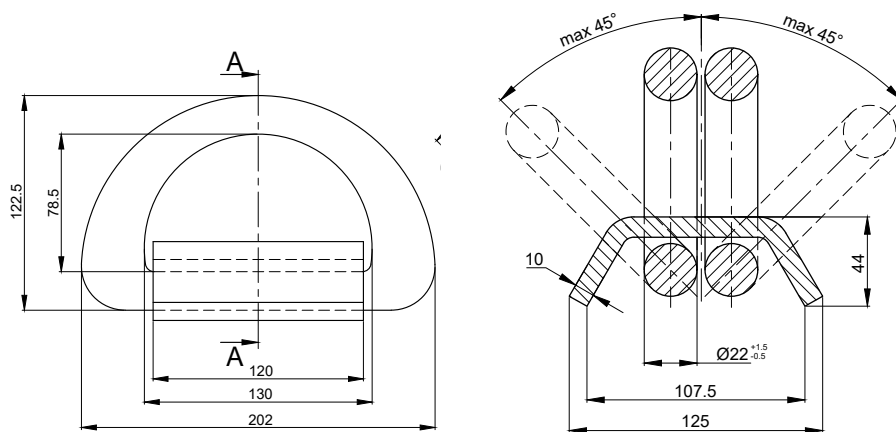
Finish: Self-coloured
 Remarks: Foldable lashing point on deck.



Reference: **LP-17**
 Description: **DOUBLE D-RING 36T**
 Weight [kg]: 5.03
 Material: Drop forged ring + Bended steel plates

Breaking load Tension [kN]: 360
 Breaking load Shear [kN]: -

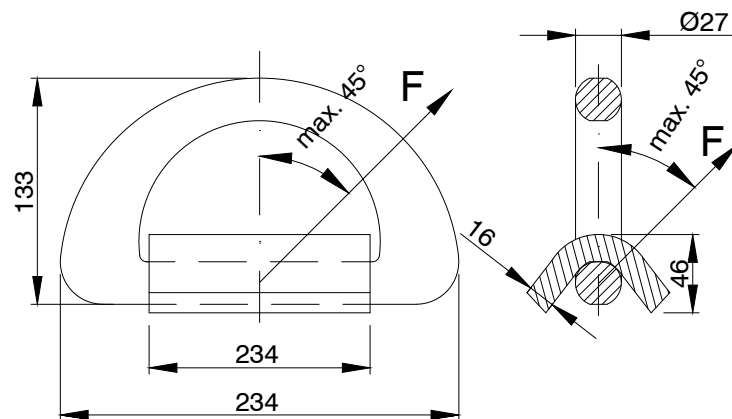
Finish: Shot blasted + Weldable primer
 Remarks: Foldable lashing point on deck.



Reference: **LP-14**
 Description: **D-RING 50T**
 Weight [kg]: 4.3
 Material: Drop forged ring + Bended steel plates

Breaking load Tension [kN]: 500
 Breaking load Shear [kN]: -

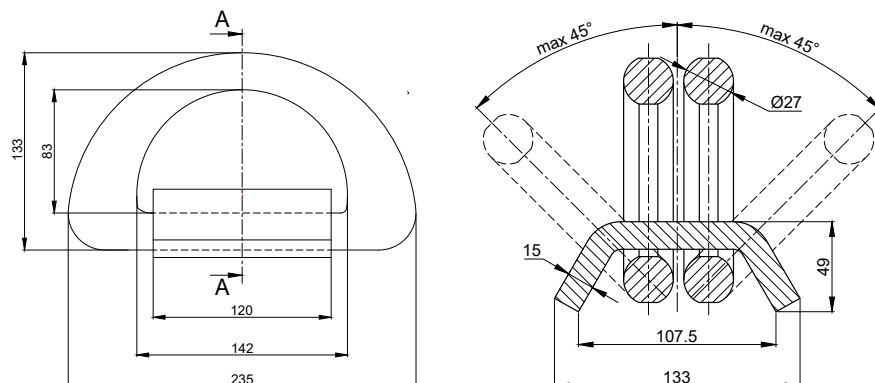
Finish: Self-coloured
 Remarks: Foldable lashing point on deck.



Reference: **LP-18**
 Description: **DOUBLE D-RING 50T**
 Weight [kg]: 11.14
 Material: Drop forged ring + Bended steel plates

Breaking load Tension [kN]: 500
 Breaking load Shear [kN]: -

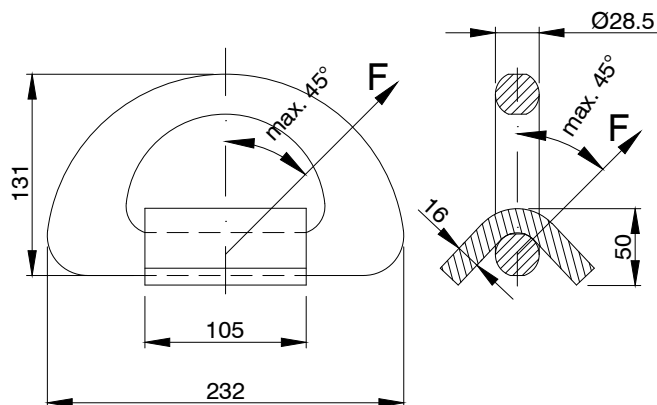
Finish: Shot blasted + Weldable primer
 Remarks: Foldable lashing point on deck.



Reference: **LP-67**
 Description: **D-RING 67T**
 Weight [kg]: 4.6
 Material: Drop forged ring + Bended steel plates

Breaking load Tension [kN]: 670
 Breaking load Shear [kN]: -

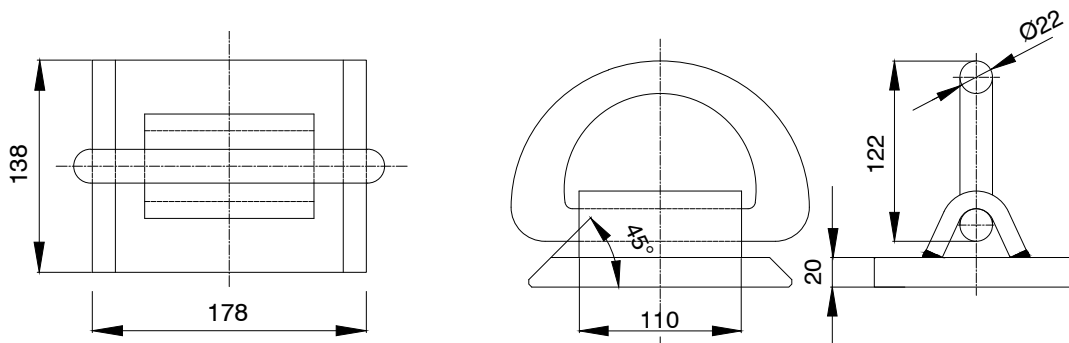
Finish: Self-coloured
 Remarks: Foldable lashing point on deck.



Reference: **LP-91-45**
 Description: **U-FRAME D-RING 45°**
 Weight [kg]: 6.4
 Material: Drop forged ring + Bended steel plates + Casted bottom plates

Breaking load Tension [kN]: -
 Breaking load Shear [kN]: 400

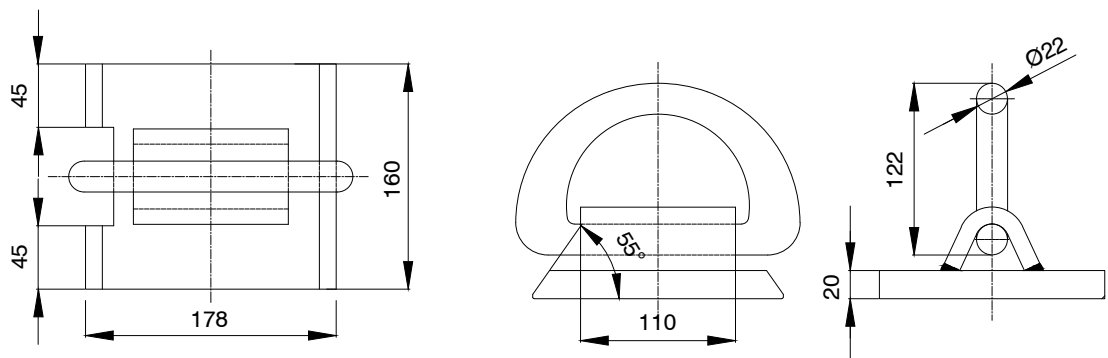
Finish: Primer painted
 Remarks: Foldable lashing point for dovetail sockets of 45°



Reference: **LP-91-55**
 Description: **U-FRAME D-RING 55°**
 Weight [kg]: 7,0
 Material: Drop forged ring + Bended steel plates + Casted bottom plates

Breaking load Tension [kN]: -
 Breaking load Shear [kN]: 400

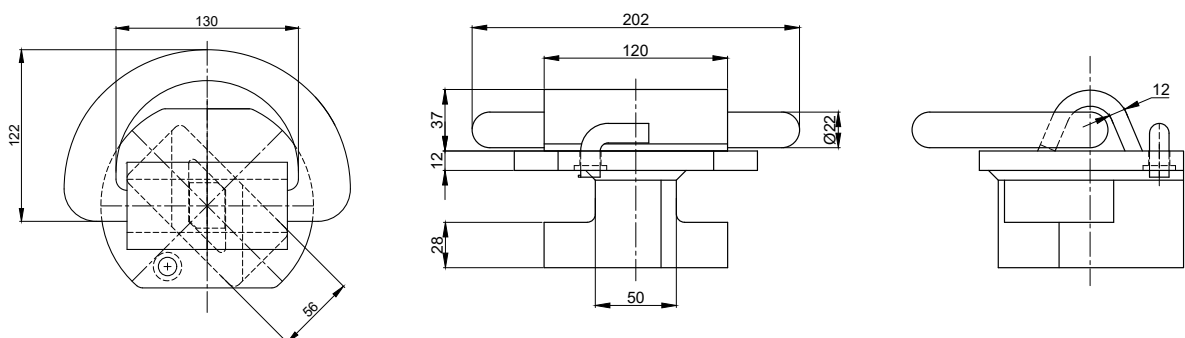
Finish: Primer painted
 Remarks: Foldable lashing point for dovetail sockets of 55°



Reference: **LP-16**
 Description: **TURNFOOT D-RING 40T**
 Weight [kg]: 6,2
 Material: Drop forged ring + Bended steel plates + Casted bottom plates

Breaking load Tension [kN]: -
 Breaking load Shear [kN]: 400

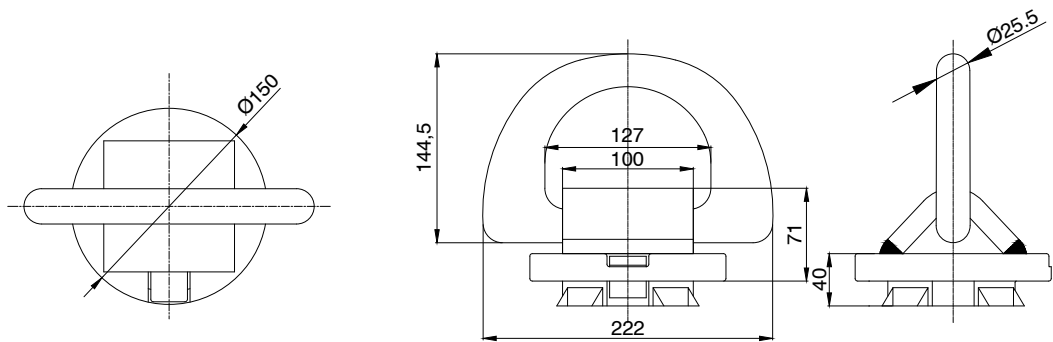
Finish: Primer painted
 Remarks: Foldable lashing point for ISO sockets.



Reference: **LP-21**
 Description: **BREECH BASE D-RING**
 Weight [kg]: 8,3
 Material: Drop forged ring + Bended steel plates + Casted bottom plates

Breaking load Tension [kN]: -
 Breaking load Shear [kN]: 400

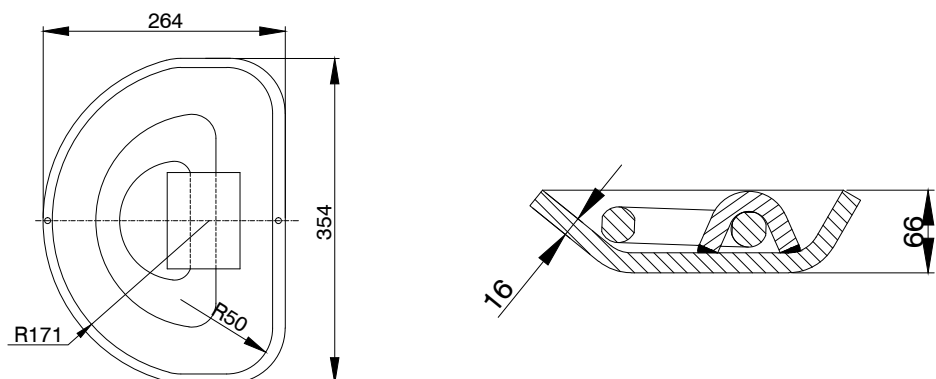
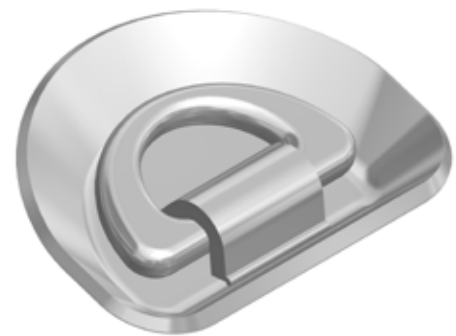
Finish: Primer painted
 Remarks: Foldable lashing point for breech base sockets.



Reference: **LP-84**
 Description: **FLUSH D-RING 36T**
 Weight [kg]: 15,9
 Material: Drop forged ring + Bended steel plates + Casted bottom plates

Breaking load Tension [kN]: 360
 Breaking load Shear [kN]: -

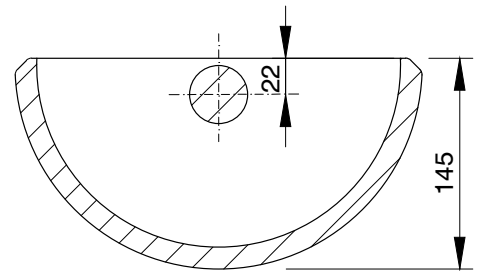
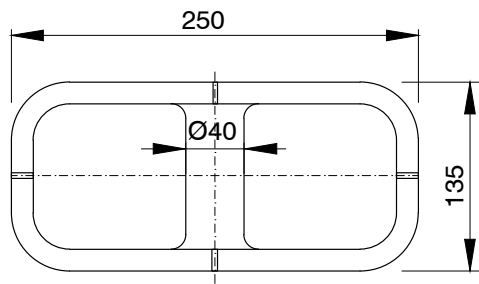
Finish: Shot blasted + Weldable primer
 Remarks: Flush lashing point used in the holds.



Reference: **LP-31**
Description: **LASHING POINT**
Weight [kg]: 11,2
Material: Precision cast steel

Breaking load Tension [kN]: 500
Breaking load Shear [kN]: -

Finish: Shot blasted + Weldable primer
Remarks: Flush lashing point used in the holds.



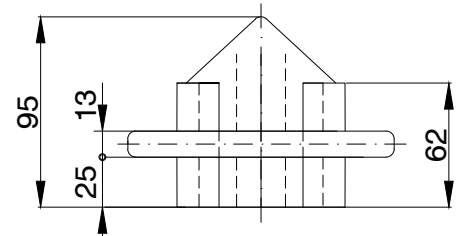
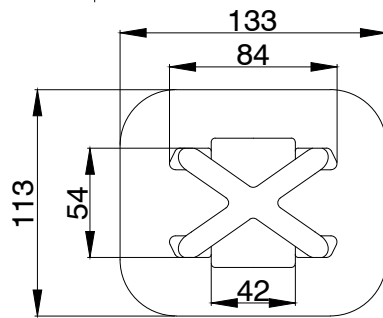
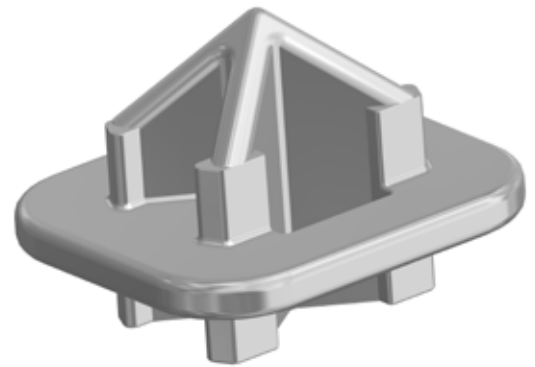
CHAPTER 2

STACKING CONES AND TWISTLOCKS

Reference: **BF-51**
 Description: **ISO BOTTOM STACKING CONE**
 Weight [kg]: 2
 Material: Drop forged cone + Steel plate

Breaking load Tension [kN]: -
 Breaking load Shear [kN]: 420

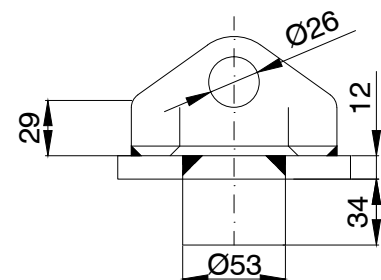
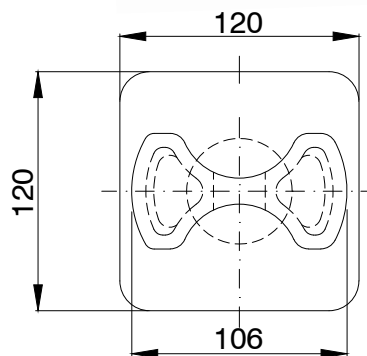
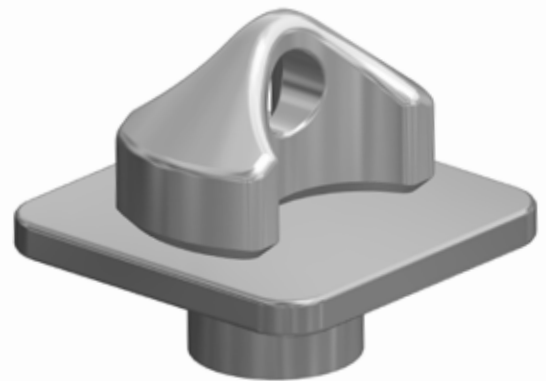
Finish: Shot blasted + Hot dip galvanized
 Remarks: Securing of containers in the holds.



Reference: **BF-61**
 Description: **SINGLE ROUND CUP STACKING CONE**
 Weight [kg]: 2.9
 Material: Drop forged cone + Steel plate

Breaking load Tension [kN]: -
 Breaking load Shear [kN]: 420

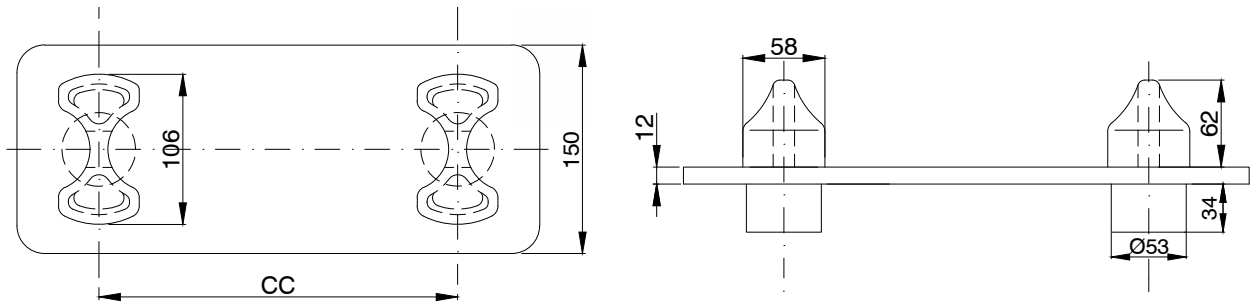
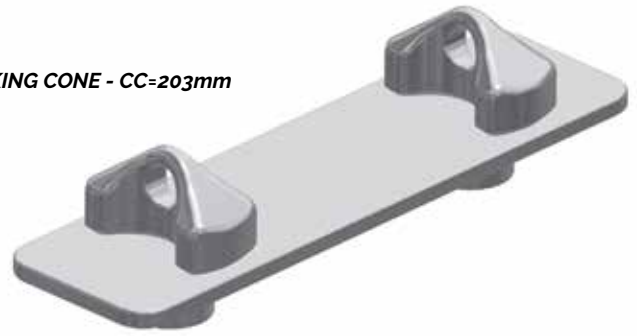
Finish: Shot blasted + Hot dip galvanized
 Remarks: Securing of containers in the holds.



Reference: **BF-62(25)**
 Description: **DOUBLE TRANSVERSAL ROUND CUP STACKING CONE - CC=203mm**
 Weight [kg]: 7.7
 Material: Drop forged cones + Steel plate

Breaking load Tension [kN]: -
 Breaking load Shear [kN]: 420

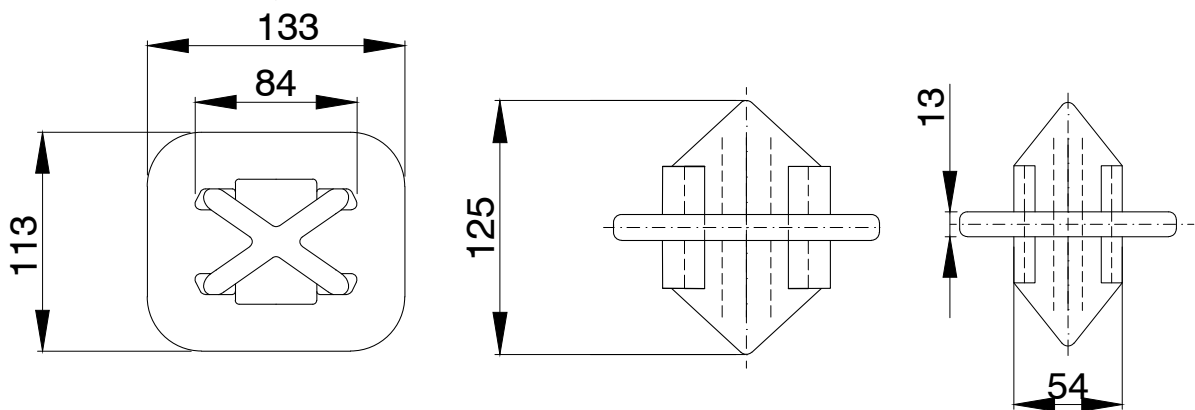
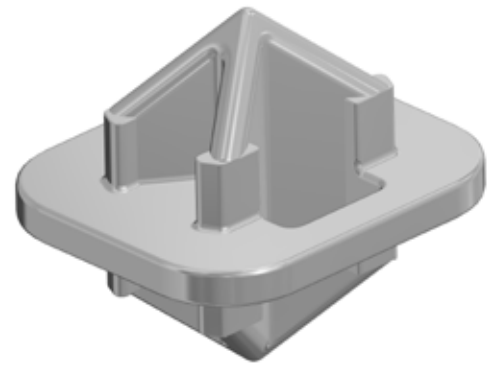
Finish: Shot blasted + Hot dip galvanized
 Remarks: Securing of containers in the holds.
 Model BF-62(80)-V (CC=258mm) also available.
 Other CC distances upon request.



Reference: **IF-11**
 Description: **SINGLE INTERMEDIATE STACKING CONE**
 Weight [kg]: 2.9
 Material: Drop forged cone + Steel plate

Breaking load Tension [kN]: -
 Breaking load Shear [kN]: 420

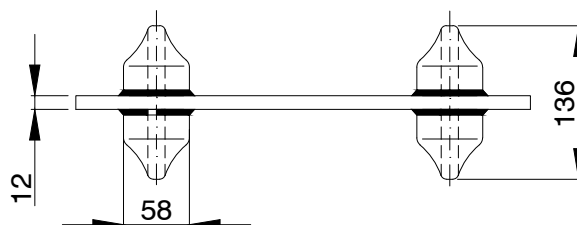
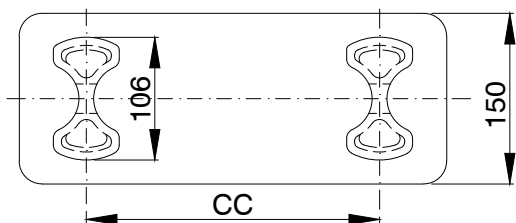
Finish: Shot blasted + Hot dip galvanized
 Remarks: Securing of containers in the holds.



Reference: **IF-12(25)**
 Description: **DOUBLE TRANSVERSAL STACKING CONE - CC=203mm**
 Weight [kg]: 8,15
 Material: Drop forged cones + Steel plate

Breaking load Tension [kN]: -
 Breaking load Shear [kN]: 420

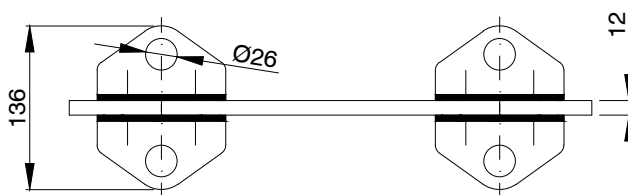
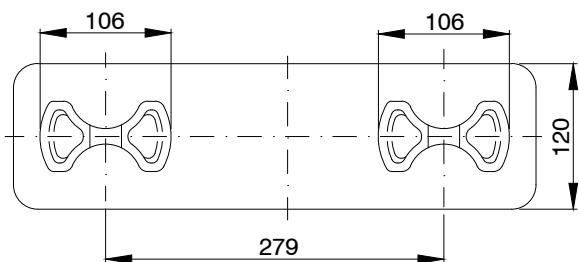
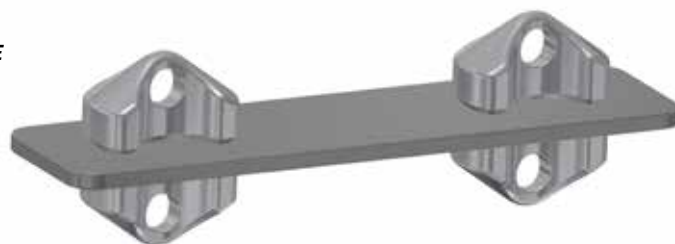
Finish: Shot blasted + Hot dip galvanized
 Remarks: Securing of containers in the holds.
 Model IF-12(80) (CC=258mm) also available.
 Other CC distances upon request.



Reference: **IF-13(76)**
 Description: **DOUBLE LONGITUDINAL STACKING CONE**
 Weight [kg]: 7,4
 Material: Drop forged cones + Steel plate

Breaking load Tension [kN]: -
 Breaking load Shear [kN]: 420

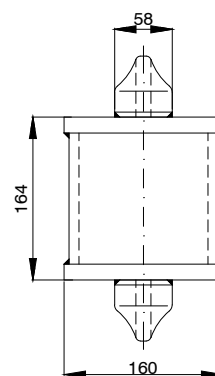
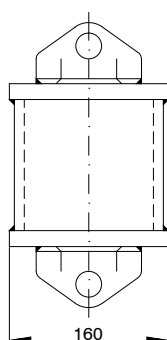
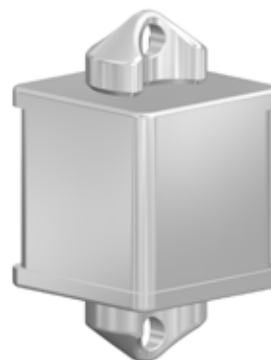
Finish: Shot blasted + Hot dip galvanized
 Remarks: Securing of containers in the holds.



Reference: **IF-111**
Description: **6" COMPENSATING STACKING CONE**
Weight [kg]: 11.8
Material: Drop forged cones + Steel plates

Breaking load Tension [kN]: -
Breaking load Shear [kN]: 420

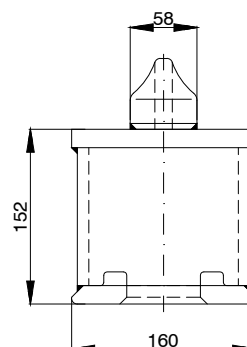
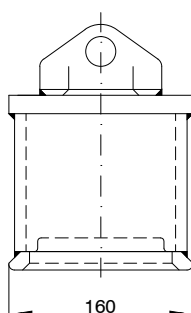
Finish: Shot blasted + Weldable painted
Remarks: Stacking cone compensating different container heights.



Reference: **IF-71**
Description: **6" COMPENSATING STACKING CONE**
Weight [kg]: 11.7
Material: Drop forged cone + Steel plates

Breaking load Tension [kN]: -
Breaking load Shear [kN]: 420

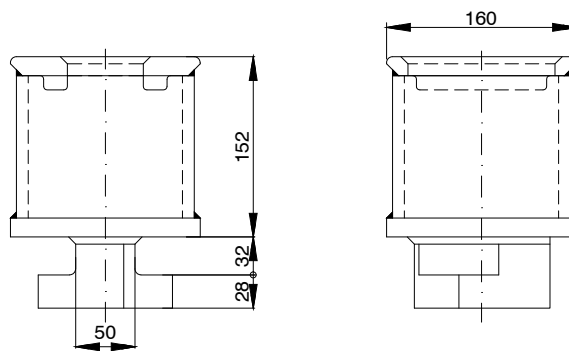
Finish: Shot blasted + Weldable painted
Remarks: Stacking cone compensating different container heights.



Reference: **IF-18**
 Description: **6" COMPENSATING STACKING CONE**
 Weight [kg]: 11.8
 Material: Drop forged steel + Steel plates

Breaking load Tension [kN]: -
 Breaking load Shear [kN]: 420

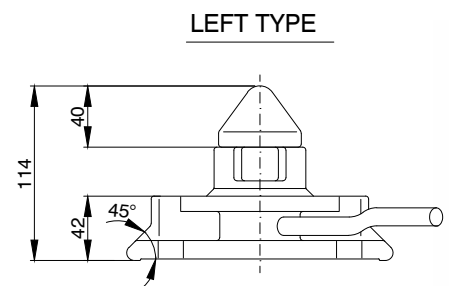
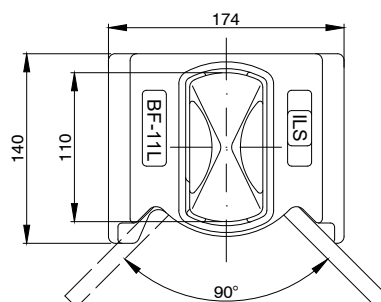
Finish: Shot blasted + Weldable painted
 Remarks: Stacking cone compensating different container heights.



Reference: **BF-11L or R**
 Description: **LONGITUDINAL DOVETAIL TWISTLOCK 45°**
 Weight [kg]: 6.1
 Material: Cast steel housing + Forged steel cone

Breaking load Tension [kN]: 500
 Breaking load Shear [kN]: 420

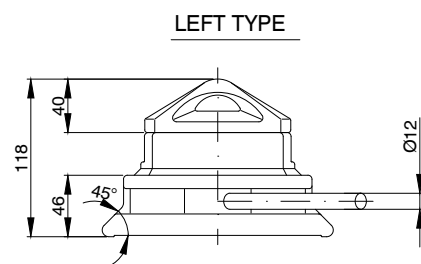
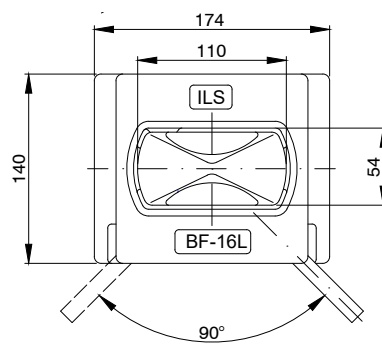
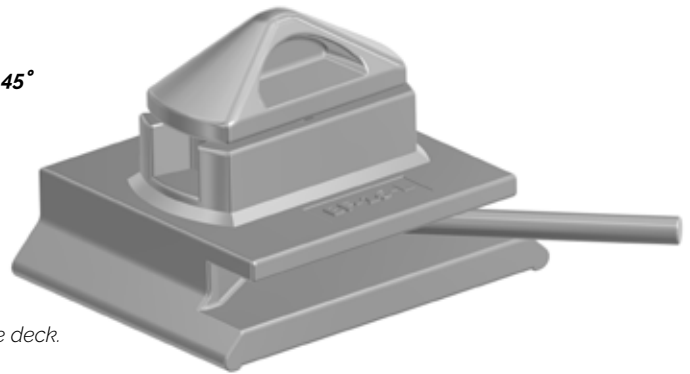
Finish: Shot blasted + Hot dip galvanized
 Remarks: Twistlocks for securing containers on the deck.
 To be fitted in dovetail sockets of 45°



Reference: **BF-16L or R**
 Description: **TRANSVERSAL DOVETAIL TWISTLOCK 45°**
 Weight [kg]: 6,8
 Material: Cast steel housing + Forged steel cone

Breaking load Tension [kN]: 500
 Breaking load Shear [kN]: 420

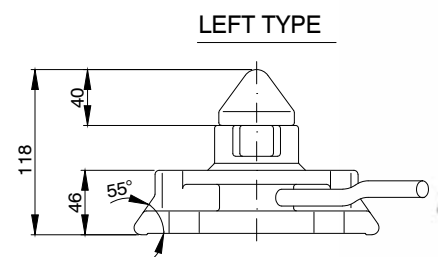
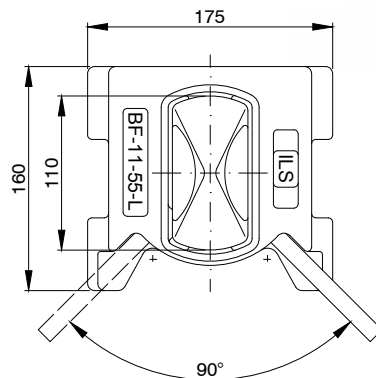
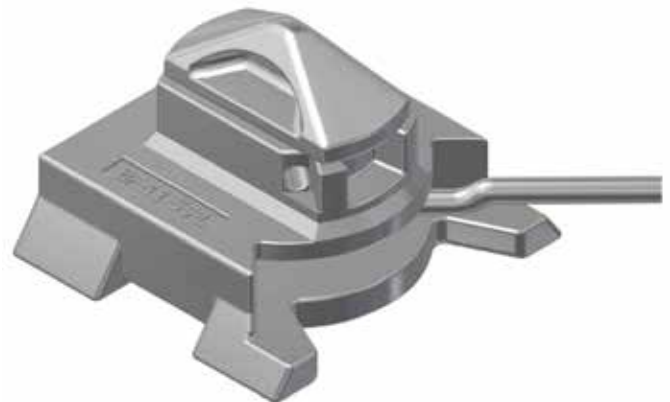
Finish: Shot blasted + Hot dip galvanized
 Remarks: Twistlocks for securing containers on the deck.
 To be fitted in dovetail sockets of 45°



Reference: **BF-11-55L or R**
 Description: **LONGITUDINAL DOVETAIL TWISTLOCK 55°**
 Weight [kg]: 7,2
 Material: Cast steel housing + Forged steel cone

Breaking load Tension [kN]: 500
 Breaking load Shear [kN]: 420

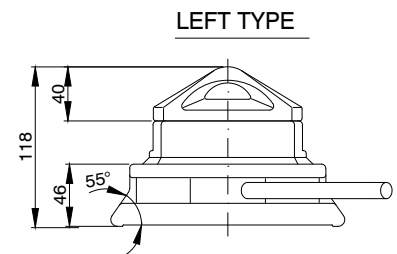
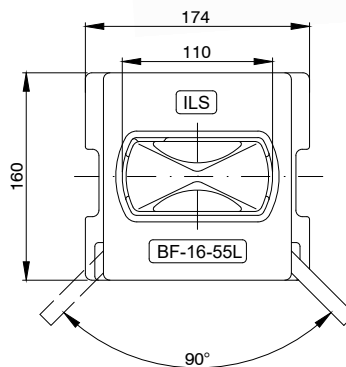
Finish: Shot blasted + Hot dip galvanized
 Remarks: Twistlocks for securing containers on the deck.
 To be fitted in dovetail sockets of 55°



Reference: **BF-16-55L or R**
 Description: **TRANSVERSAL DOVETAIL TWISTLOCK 55°**
 Weight [kg]: 7,6
 Material: Cast steel housing + Forged steel cone

Breaking load Tension [kN]: 500
 Breaking load Shear [kN]: 420

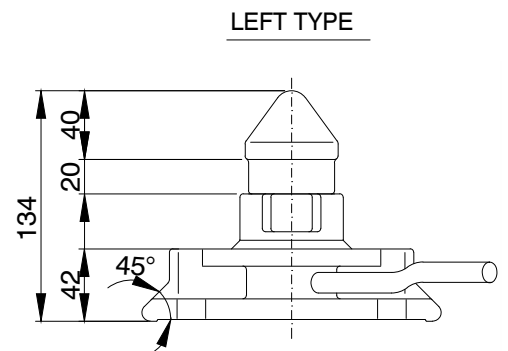
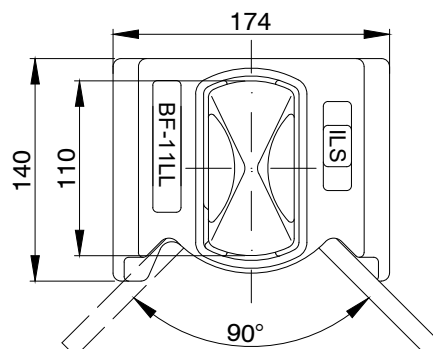
Finish: Shot blasted + Hot dip galvanized
 Remarks: Twistlocks for securing containers on the deck.
 To be fitted in dovetail sockets of 55°.



Reference: **BF-11LL**
 Description: **DOVETAIL LINE LOAD TWISTLOCK 45°**
 Weight [kg]: 6,6
 Material: Cast steel housing + Forged steel cone

Breaking load Tension [kN]: 500
 Breaking load Shear [kN]: 420

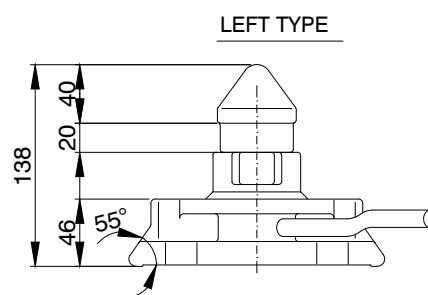
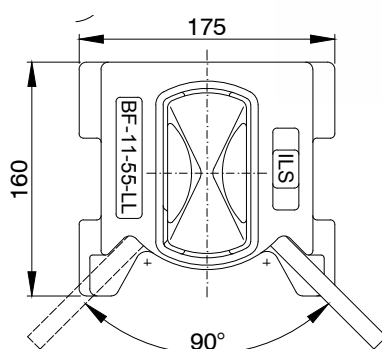
Finish: Shot blasted + Hot dip galvanized
 Remarks: Twistlocks for securing containers on the deck.
 To be fitted in dovetail sockets of 45°.
 Only for line load stowage.



Reference: **BF-11-55LL**
 Description: **DOVETAIL LINE LOAD TWISTLOCK 55°**
 Weight [kg]: 7,6
 Material: Cast steel housing + Forged steel cone

Breaking load Tension [kN]: 500
 Breaking load Shear [kN]: 420

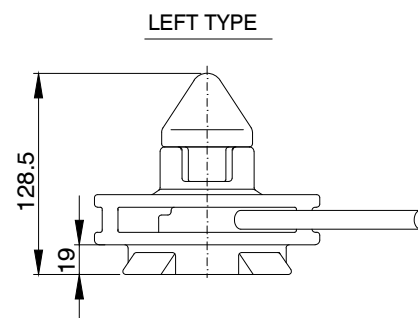
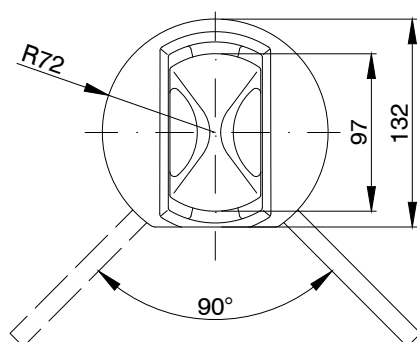
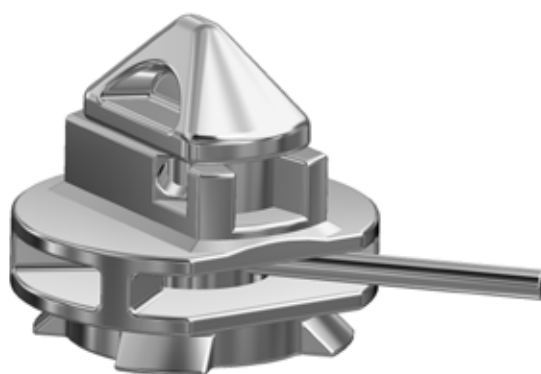
Finish: Shot blasted + Hot dip galvanized
 Remarks: Only for line load stowage.
 To be fitted in dovetail sockets of 55°.



Reference: **BF-66L or R**
 Description: **BREECH BASE TWISTLOCK**
 Weight [kg]: 5,7
 Material: Cast steel housing + Forged steel cone

Breaking load Tension [kN]: 500
 Breaking load Shear [kN]: 420

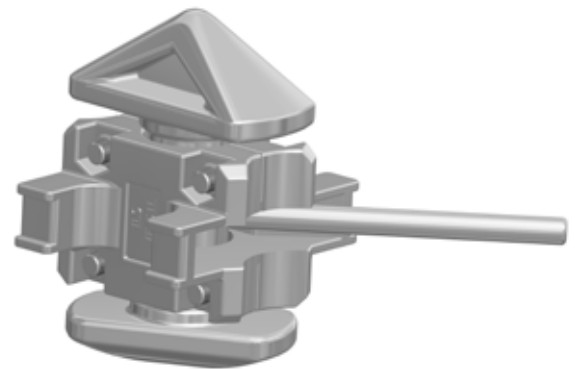
Finish: Shot blasted + Hot dip galvanized
 Remarks: Twistlock for securing containers on the deck.
 Only for breech base sockets DF-66.



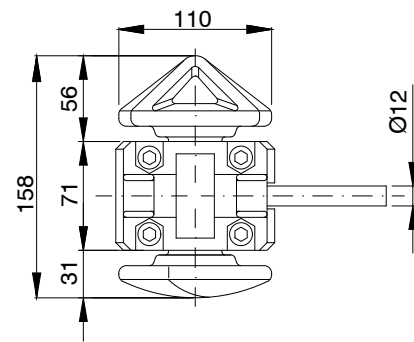
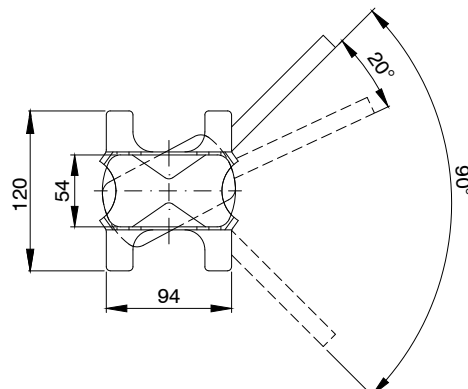
Reference: **IF-51-L or R**
 Description: **STANDARD INTERMEDIATE TWISTLOCK**
 Weight [kg]: 4,8
 Material: Cast steel housing + Forged steel cones

Breaking load Tension [kN]: 500
 Breaking load Shear [kN]: 420

Finish: Shot blasted + Hot dip galvanized
 Remarks: Standard manual twistlock.



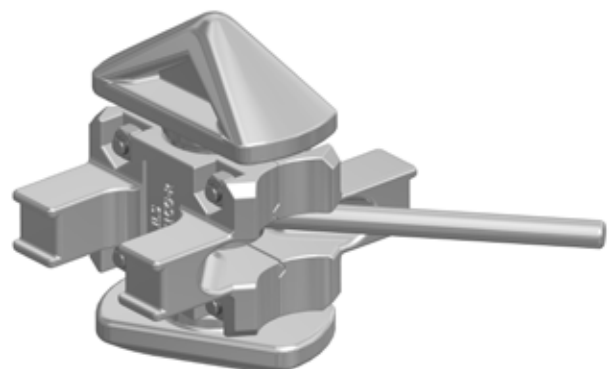
LEFT TYPE



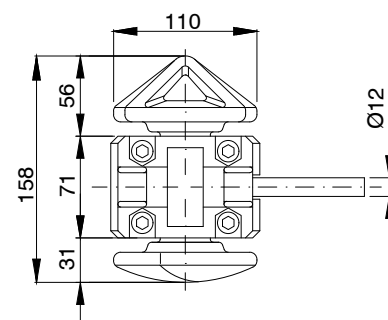
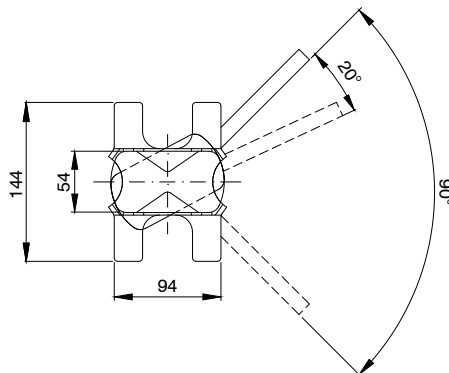
Reference: **IF-51BS-L or R**
 Description: **BIG SURFACE TWISTLOCK**
 Weight [kg]: 5,3
 Material: Cast steel housing + Forged steel cones

Breaking load Tension [kN]: 500
 Breaking load Shear [kN]: 420

Finish: Shot blasted + Hot dip galvanized
 Remarks: Standard manual twistlocks with larger flange for higher pressure forces.



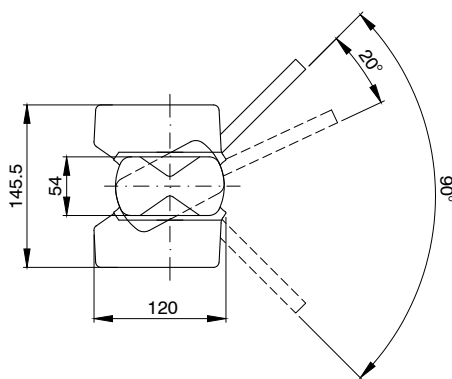
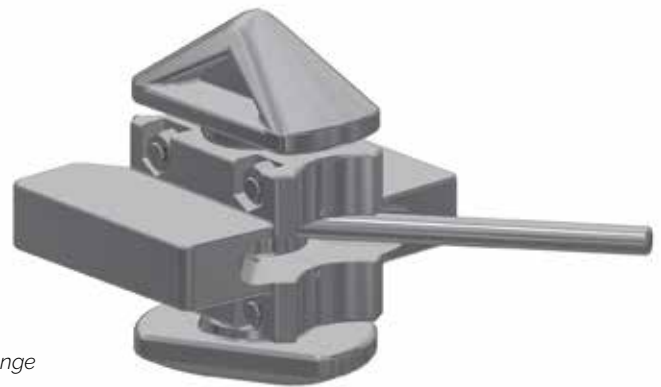
LEFT TYPE



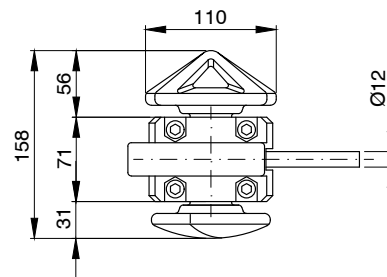
Reference: **IF-51BST-L or R**
 Description: **BIG SURFACE TWISTLOCK**
 Weight [kg]: 6.2
 Material: Cast steel housing + Forged steel cones

Breaking load Tension [kN]: 500
 Breaking load Shear [kN]: 420

Finish: Shot blasted + Hot dip galvanized
 Remarks: Standard manual twistlocks with larger flange for higher pressure forces.



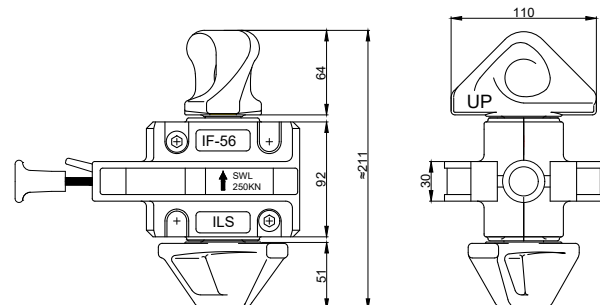
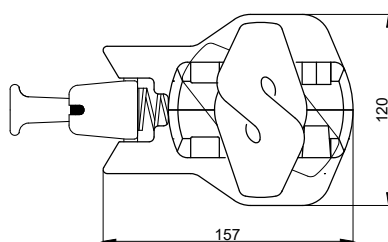
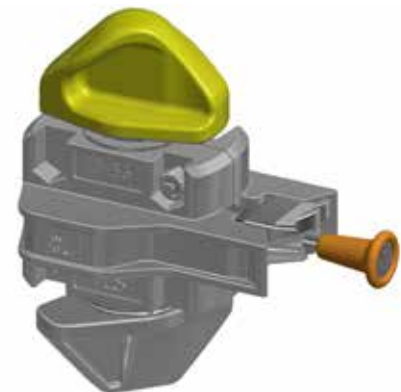
LEFT TYPE



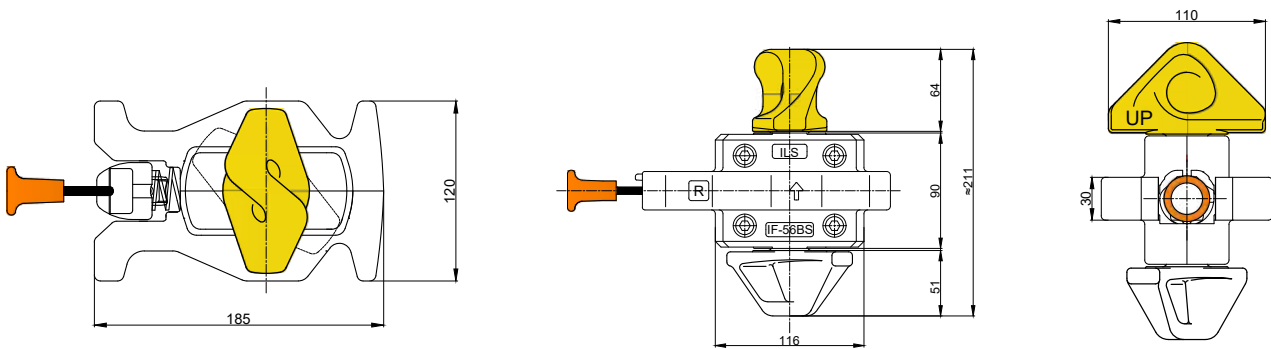
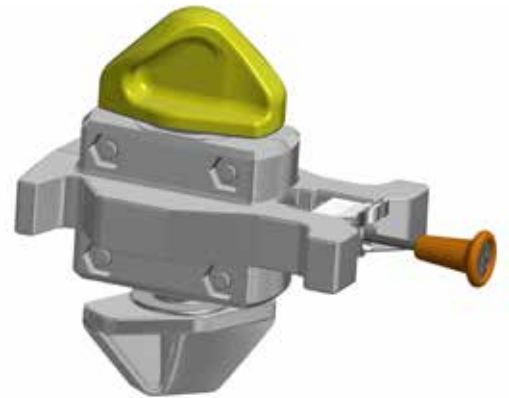
Reference: **IF-56**
 Description: **SEMI-AUTOMATIC TWISTLOCK**
 Weight [kg]: 5.4
 Material: Cast steel housing + Forged steel cones +
 Wire handle: stainless steel

Breaking load Tension [kN]: 500
 Breaking load Shear [kN]: 420

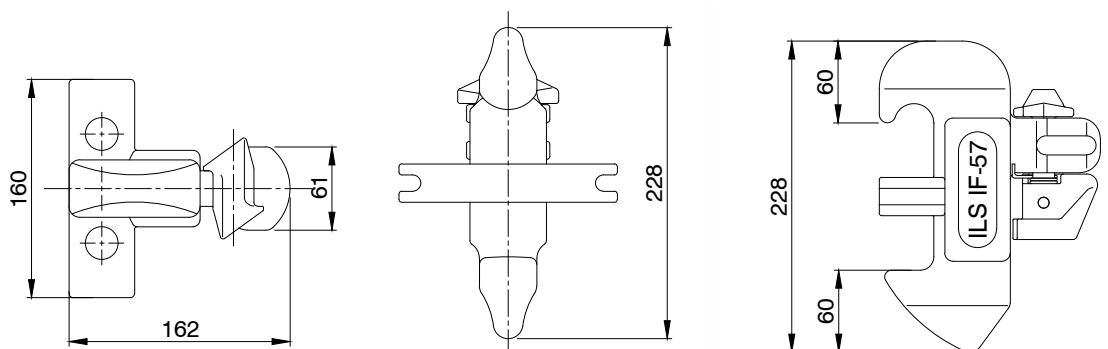
Finish: Shot blasted + Hot dip galvanized
 Remarks: Dual function semi-automatic twistlock.
 OSHA compliant.



Reference: *IF-56BS*
Description: **BIG SURFACE SEMI-AUTOMATIC TWISTLOCK**
Weight [kg]: 6,8
Material: Cast steel housing + Forged steel cones
 + Stainless steel wire handle
Breaking load Tension [kN]: 500
Breaking load Shear [kN]: 420
Finish: Shot blasted + Hot dip galvanized
Remarks: Dual function semi-automatic twistlock.
 OSHA compliant. Used for high pressure forces.



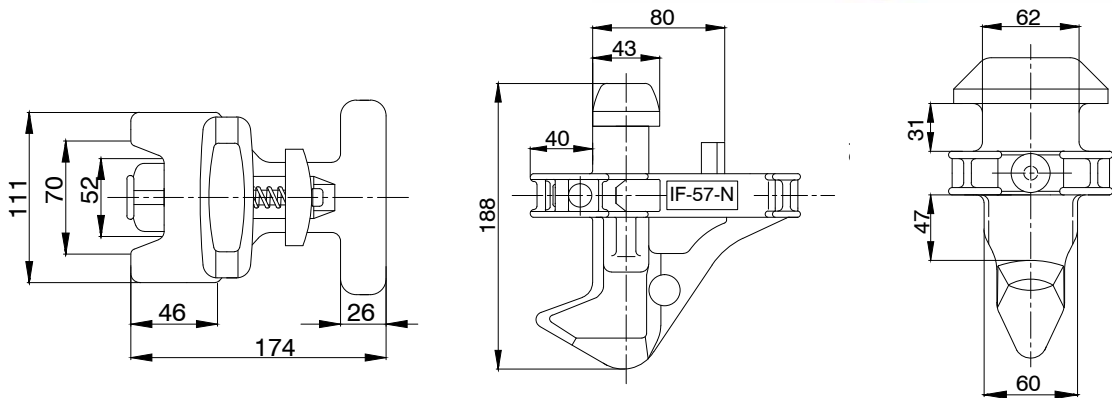
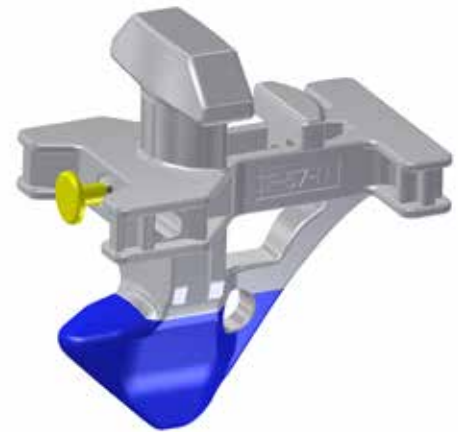
Reference: *IF-57*
Description: **AUTOMATIC MIDLOCK**
Weight [kg]: 6,8
Material: Cast steel
Breaking load Tension [kN]: 500
Breaking load Shear [kN]: 420
Finish: Shot blasted + Hot dip galvanized
Remarks: -



Reference: **IF-57-N**
 Description: **AUTOMATIC MIDLOCK**
 Weight [kg]: 4.7
 Material: Cast steel

Breaking load Tension [kN]: 500
 Breaking load Shear [kN]: 420

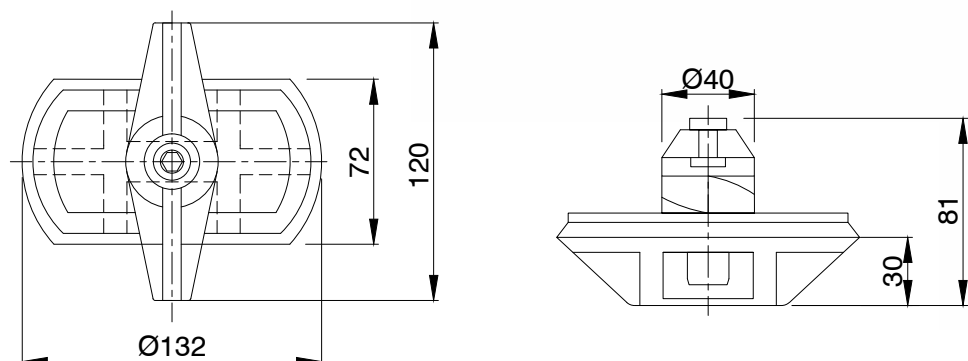
Finish: Shot blasted + Hot dip galvanized
 Remarks: Midlock used at the 3rd gap for stowing twin 20' containers on deck in 40' stack.



Reference: **IF-97-N**
 Description: **HANGING STACKING CONE WITHOUT FLANGE**
 Weight [kg]: 1.5
 Material: Cast steel

Breaking load Tension [kN]: -
 Breaking load Shear [kN]: 420

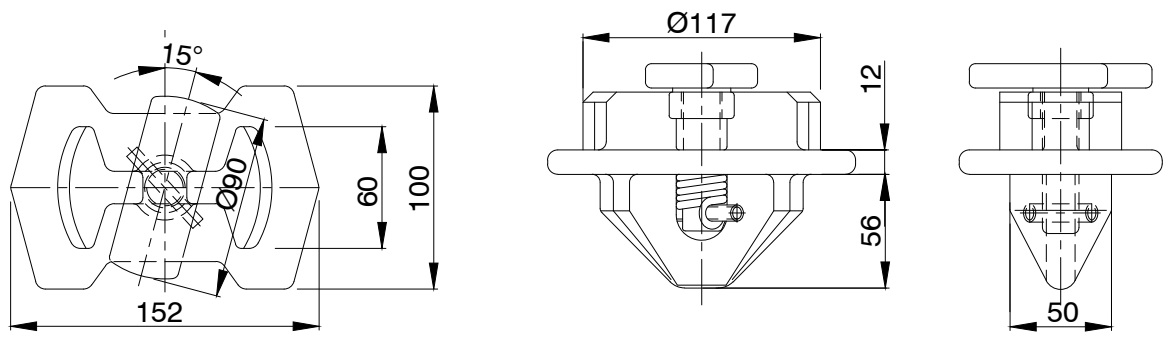
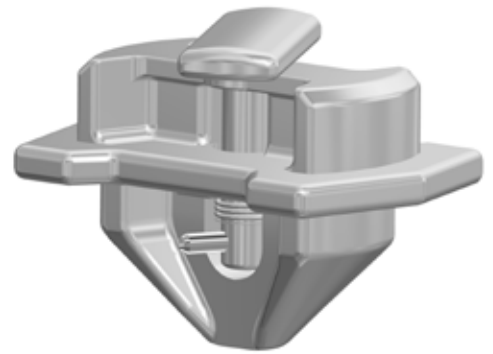
Finish: Shot blasted + Hot dip galvanized
 Remarks: Stacking cone to secure containers against shifting in holds and on quayside.



Reference: **IF-98**
 Description: **HANGING STACKING CONE WITH FLANGE**
 Weight [kg]: 2.5
 Material: Cast steel

Breaking load Tension [kN]: -
 Breaking load Shear [kN]: 420

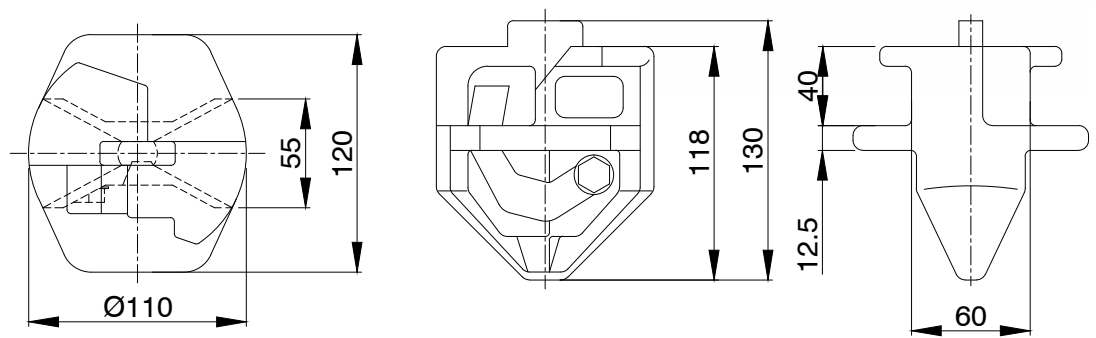
Finish: Shot blasted + Hot dip galvanized
 Remarks: Stacking cone to secure containers against shifting in holds and on quayside.



Reference: **IF-99**
 Description: **TERMINAL STACKER**
 Weight [kg]: 3.0
 Material: Cast steel

Breaking load Tension [kN]: -
 Breaking load Shear [kN]: 420

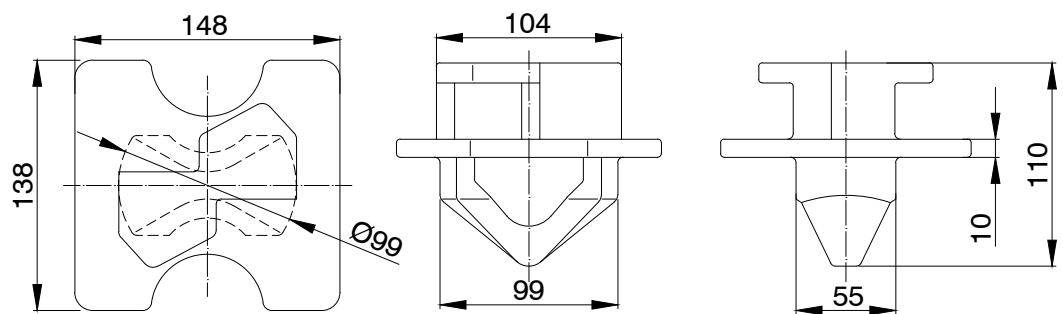
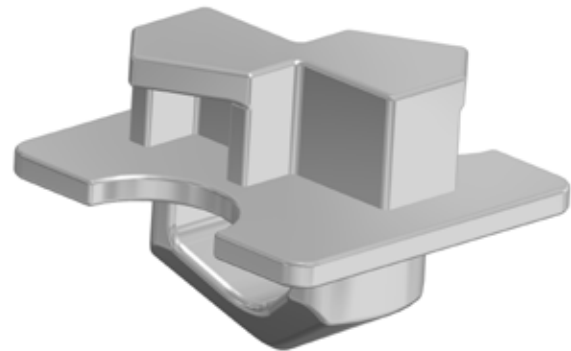
Finish: Shot blasted + Hot dip galvanized
 Remarks: Stacking cone to secure containers against shifting in holds and on quayside.



Reference: **IF-91**
 Description: **DEPOT STACKER**
 Weight [kg]: 3.3
 Material: Cast steel

Breaking load Tension [kN]: -
 Breaking load Shear [kN]: 420

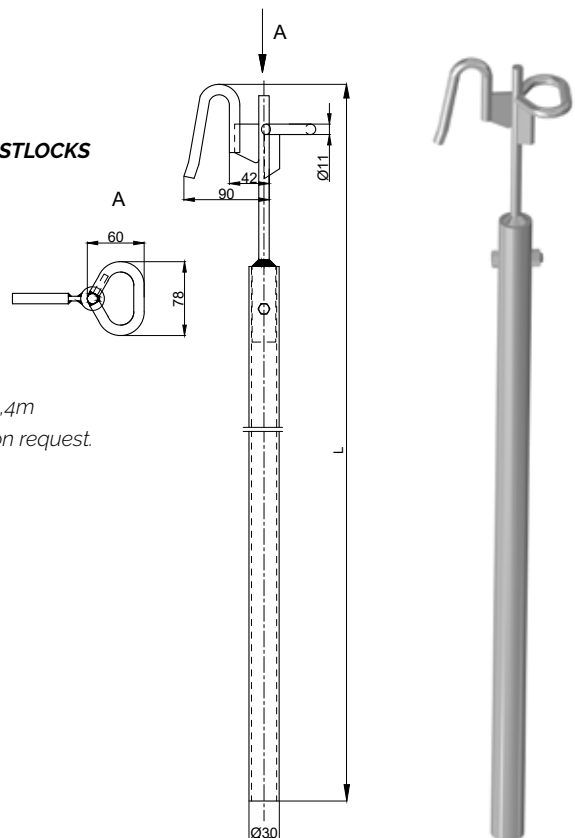
Finish: Shot blasted + Hot dip galvanized
 Remarks: To secure containers against shifting and on quayside.



Reference: **OT-31**
 Description: **OPERATION POLE FOR SEMI-AUTOMATIC TWISTLOCKS**
 Weight [kg]: -
 Material: Aluminum

Breaking load Tension [kN]: -
 Breaking load Shear [kN]: -

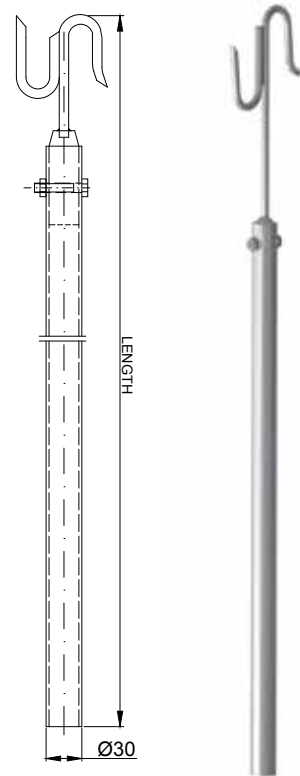
Finish: -
 Remarks: Standard lengths of 1,7m/4,6m/7,5m/10,3m/13,4m are always available in stock. Other lengths upon request.



Reference: **OT-3**
 Description: **OPERATION POLE FOR STANDARD TWISTLOCKS**
 Weight [kg]: -
 Material: Aluminum

Breaking load Tension [kN]: -
 Breaking load Shear [kN]: -

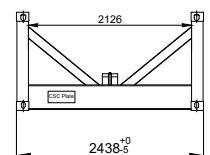
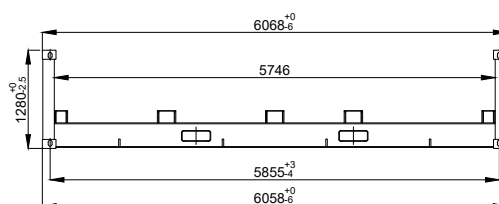
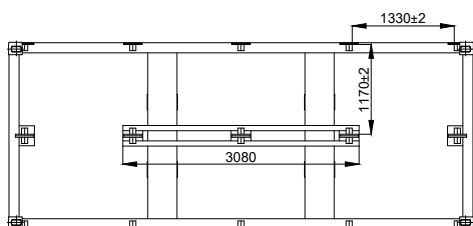
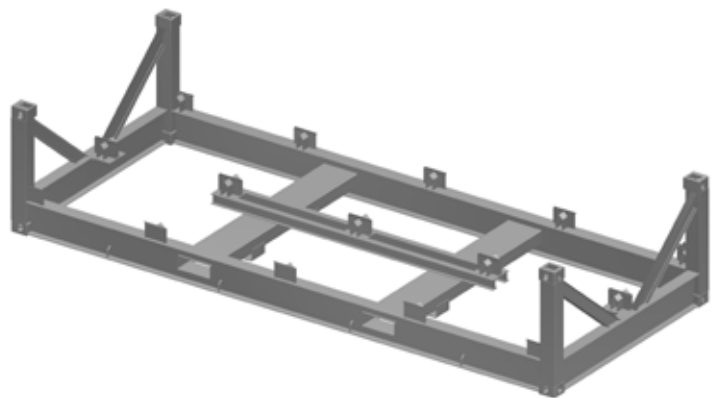
Finish: -
 Remarks: Standard lengths of 2m/4m/6m are always available in stock.
 Other lengths upon request.



Reference: **OT-208**
 Description: **20' FLAT RACK**
 Weight [kg]: 1500,0
 Material: Steel profiles

Breaking load Tension [kN]: -
 Breaking load Shear [kN]: -

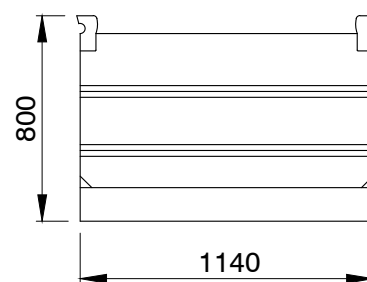
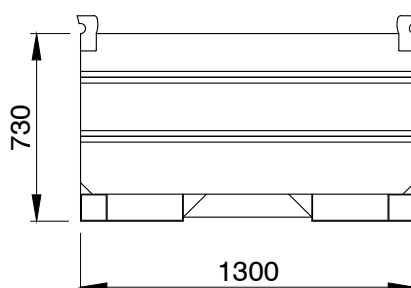
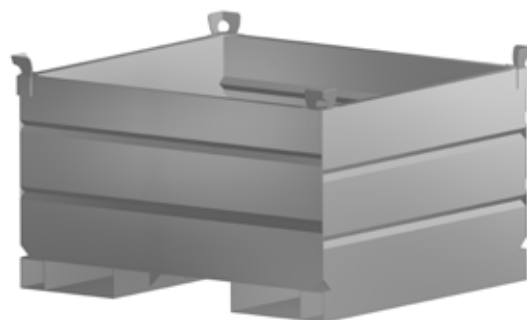
Finish: Painted
 Remarks: Rack for storage bin BIN-10.
 CSC-labeled.



Reference: **BIN-10**
Description: **FLAT RACK BIN FOR LASHING MATERIALS**
Weight [kg]: 141,0
Material: Steel plates

Breaking load Tension [kN]: -
Breaking load Shear [kN]: -

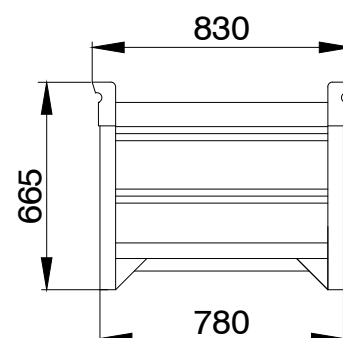
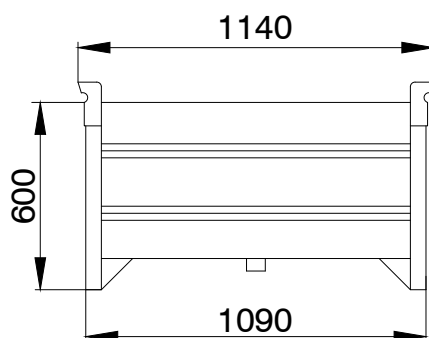
Finish: Galvanized
Remarks: Loading capacity 1,5T



Reference: **BIN-09**
Description: **BIN FOR LASHING MATERIALS**
Weight [kg]: 77,0
Material: Steel plates

Breaking load Tension [kN]: -
Breaking load Shear [kN]: -

Finish: Galvanized
Remarks: Loading capacity 1,5T



CHAPTER 3

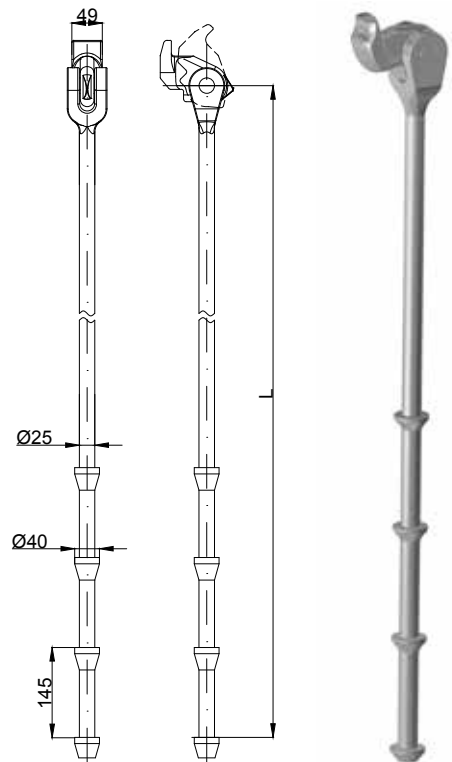
LASHING BARS AND TURNBUCKLES

Reference: **LB-44(2400)**
 Description: **KNOB LASHING BAR**
 Weight [kg]: 12,0
 Material: Forged high-tensile steel

Breaking load Tension [kN]: 500
 Breaking load Shear [kN]: -

Finish: Shot blasted + Hot dip galvanized
 Remarks: Standard lengths of 2,4m/2,5m/4,95m/5,045m are always available in stock. Other lengths upon request.

Lashing bars are used together with turnbuckles for securing container stacks on the deck.

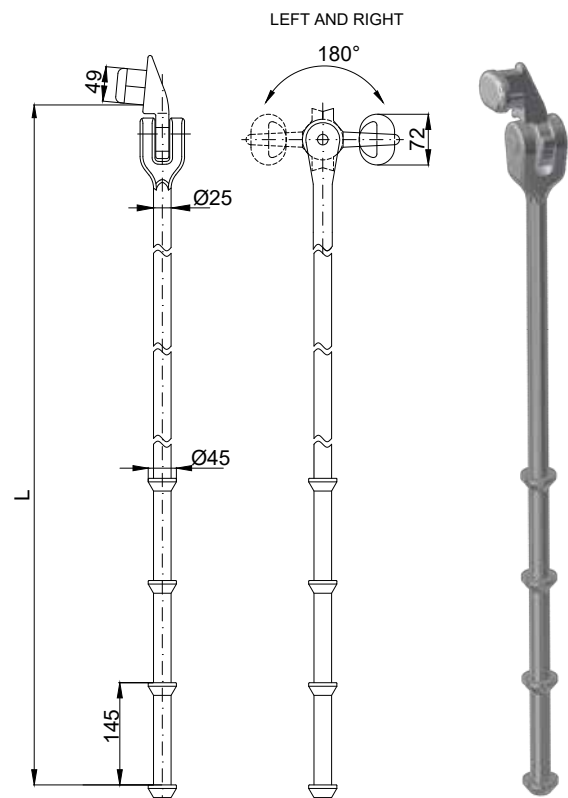


Reference: **LB-44-V(1660)**
 Description: **VERTICAL KNOB LASHING BAR**
 Weight [kg]: 10,0
 Material: Forged high-tensile steel

Breaking load Tension [kN]: 500
 Breaking load Shear [kN]: -

Finish: Shot blasted + Hot dip galvanized
 Remarks: Standard lengths of 1,66m/4,48m are always available in stock. Other lengths upon request.

Lashing bars are used together with turnbuckles for securing container stacks on the deck.

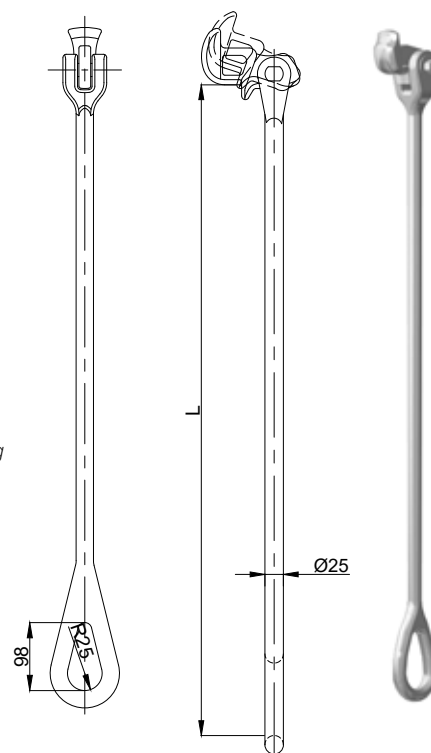


Reference: **LB-3S(2200)**
 Description: **EYE-SWIVELHEAD LASHING BAR**
 Weight [kg]: 12.4
 Material: Forged high-tensile steel

Breaking load Tension [kN]: 500
 Breaking load Shear [kN]: -

Finish: Shot blasted + Hot dip galvanized
 Remarks: Standard lengths of 2.2m/2.4m/4.5m/4.7m are always available in stock. Other lengths upon request.

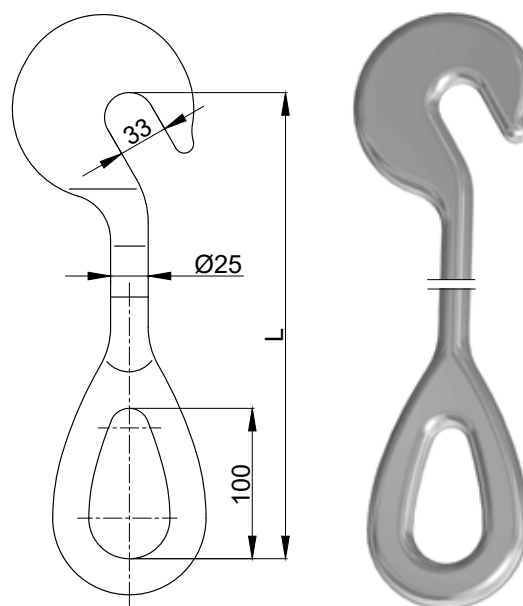
Lashing bars are used together with turnbuckles for securing container stacks on the deck.



Reference: **LB-4(310)**
 Description: **EXTENSION ROD**
 Weight [kg]: 3.9
 Material: Forged high-tensile steel

Breaking load Tension [kN]: 500
 Breaking load Shear [kN]: -

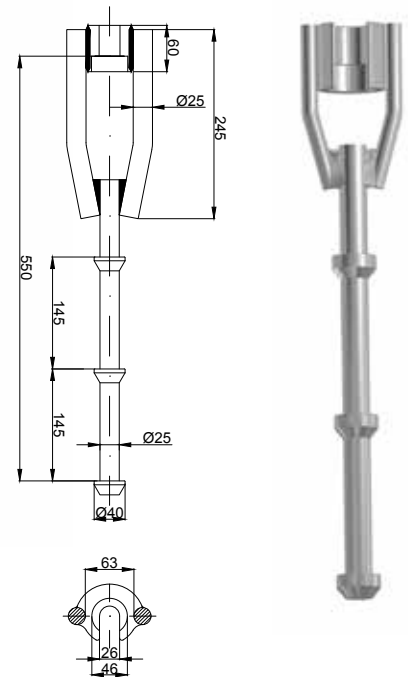
Finish: Shot blasted + Hot dip galvanized
 Remarks: Extension rod to be used with lashing bars LB-3S. Standard lengths of 0.31m/0.6m are always available in stock. Other lengths upon request.



Reference: **LB-47(550)**
 Description: **EXTENSION ROD**
 Weight [kg]: 4.95
 Material: Forged high-tensile steel

Breaking load Tension [kN]: 500
 Breaking load Shear [kN]: -

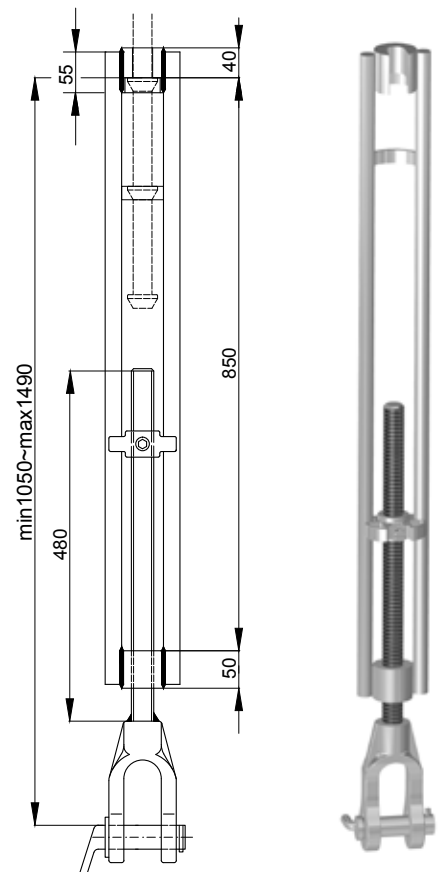
Finish: Shot blasted + Hot dip galvanized
 Remarks: Extension rod to be used with lashing bars LB-44.
 Standard lengths of 0,55m/1,23m are always available in stock.
 Other lengths upon request.



Reference: **ST-4508**
 Description: **KNOB/JAW TURNBUCKLE**
 Weight [kg]: 13.4
 Material: High tension steel

Breaking load Tension [kN]: 500
 Breaking load Shear [kN]: -

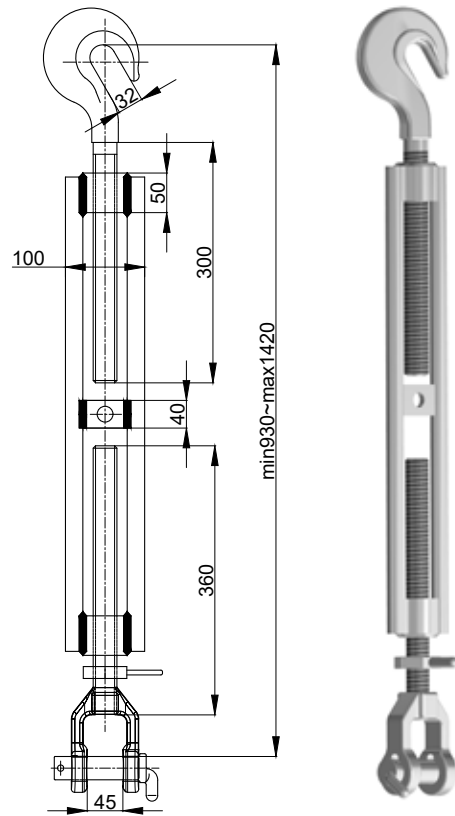
Finish: Shot blasted + Hot dip galvanized
 Remarks: To tighten knot-type lashing bars LB-44.



Reference: **ST-1365**
Description: **HOOK/JAW TURNBUCKLE, DOUBLE ACTING**
Weight [kg]: 13.4
Material: High tension steel

Breaking load Tension [kN]: 500
Breaking load Shear [kN]: -

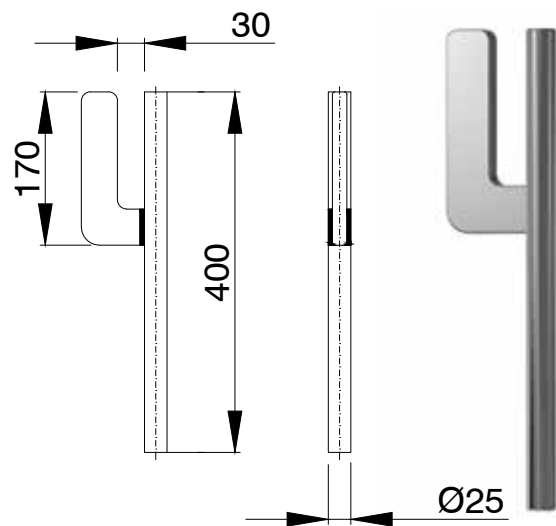
Finish: Shot blasted + Hot dip galvanized
Remarks: To tighten eye-swivelhead the lashing bars LB-3S.



Reference: **OT-12**
Description: **TURNBUCKLE KEY**
Weight [kg]: 2.57
Material: Steel

Breaking load Tension [kN]: -
Breaking load Shear [kN]: -

Finish: Primer painted
Remarks: To tighten turnbuckles ST-4508 and ST-1365.



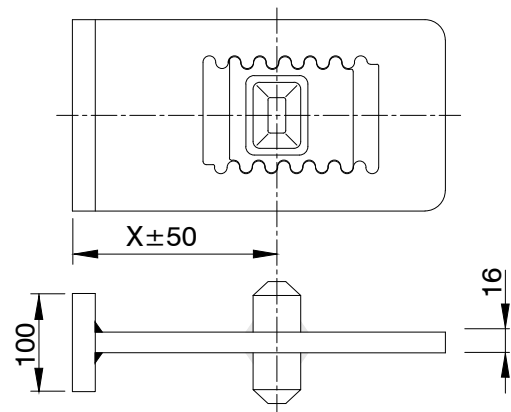
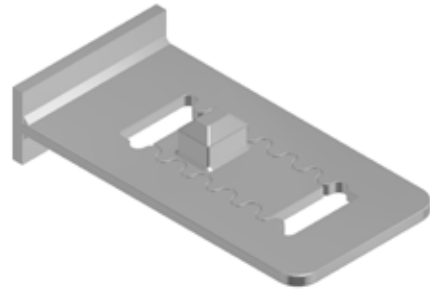
CHAPTER 4

SUPPORTS AND BRIDGEFITTINGS

Reference: **SU-38**
 Description: **INTERMEDIATE SUPPORT**
 Weight [kg]: 18,0
 Material: High tensile steel

Breaking load Tension [kN]: 850
 Breaking load Shear [kN]: -

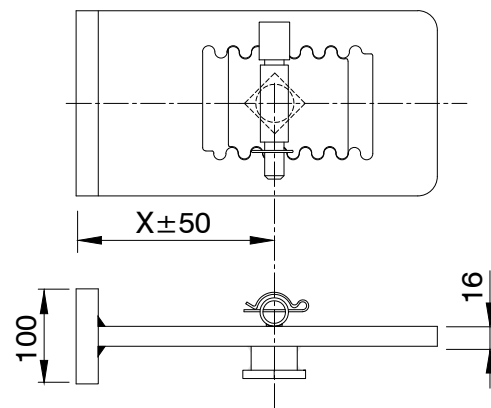
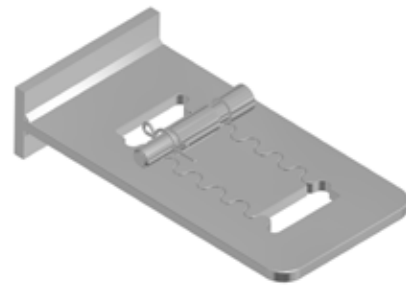
Finish: Shot blasted + Primer painted
 Remarks: Used in the holds to make container blocks.



Reference: **SU-44**
 Description: **TOP SUPPORT**
 Weight [kg]: 18,0
 Material: High tensile steel

Breaking load Tension [kN]: 850
 Breaking load Shear [kN]: -

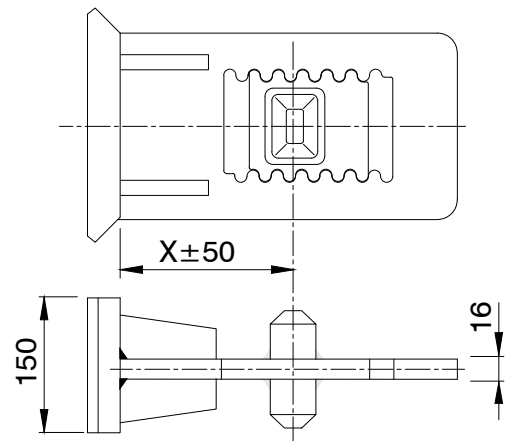
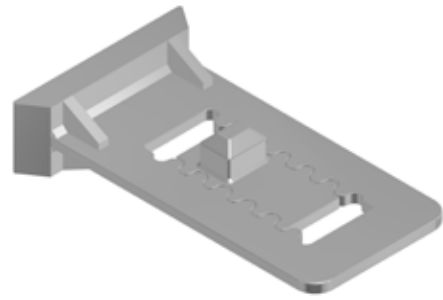
Finish: Shot blasted + Primer painted
 Remarks: Used in the holds to make container blocks.



Reference: **SU-23**
 Description: **INTERMEDIATE SUPPORT**
 Weight [kg]: 21,0
 Material: High tensile steel

Breaking load Tension [kN]: 850
 Breaking load Shear [kN]: -

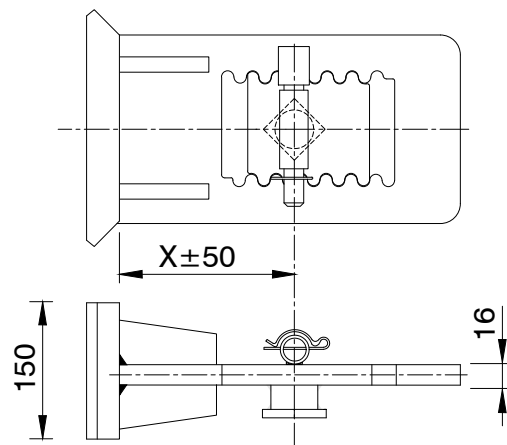
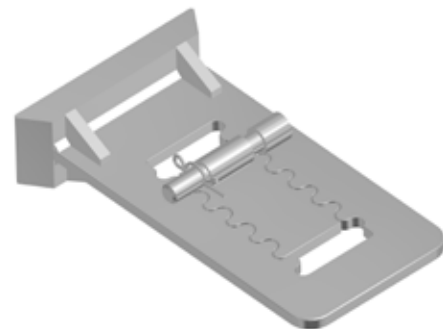
Finish: Shot blasted + Primer painted
 Remarks: Used in the holds to make container blocks.



Reference: **SU-24**
 Description: **TOP SUPPORT**
 Weight [kg]: 21,0
 Material: High tensile steel

Breaking load Tension [kN]: 850
 Breaking load Shear [kN]: -

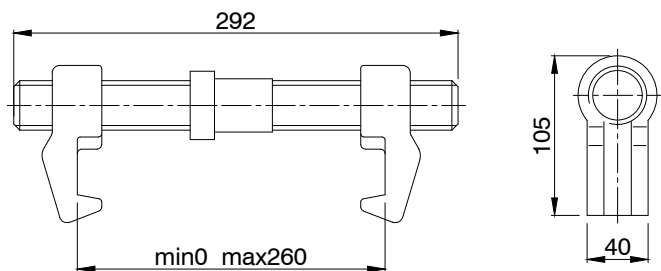
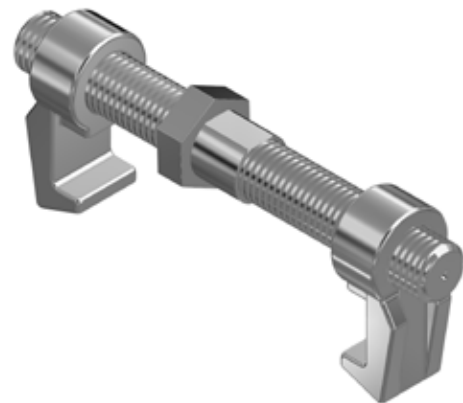
Finish: Shot blasted + Primer painted
 Remarks: Used in the holds to make container blocks.



Reference: **SB-1S**
 Description: **TENSION BRIDGE FITTING**
 Weight [kg]: 2,8
 Material: High tensile steel + Precision casting

Breaking load Tension [kN]: 100
 Breaking load Shear [kN]: -

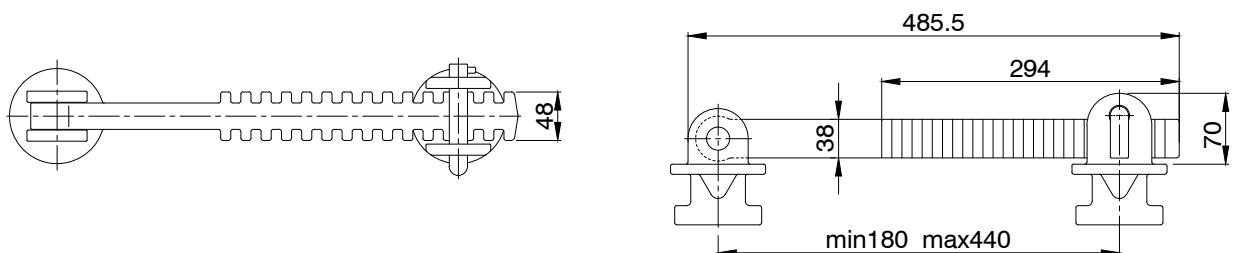
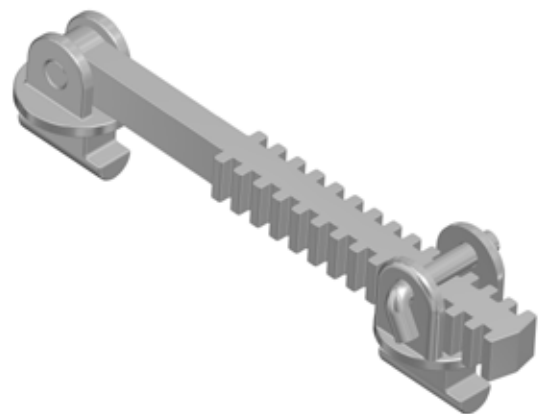
Finish: Shot blasted + Hot dip galvanized
 Remarks: To interconnect 2 containers standing side by side.



Reference: **SB-7**
 Description: **TENSION/COMPRESSION BRIDGE FITTING**
 Weight [kg]: 8,6
 Material: High tensile steel + Precision casting

Breaking load Tension [kN]: 200
 Breaking load Shear [kN]: -

Finish: Shot blasted + Hot dip galvanized
 Remarks: To interconnect 2 containers standing side by side.



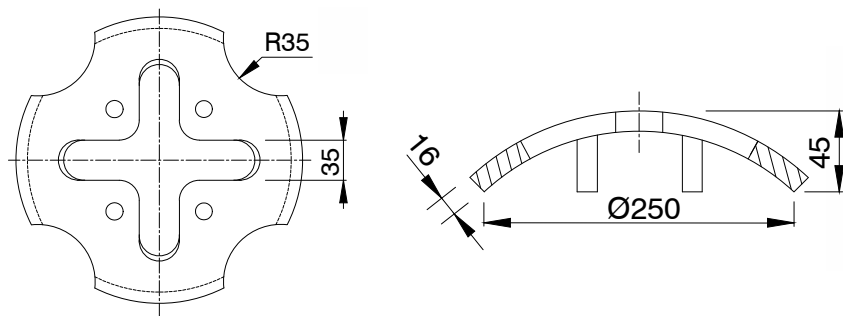
CHAPTER 5

ELEPHANT FOOT SOCKETS AND CARLASHING SOCKETS

Reference: **LP-61-G**
 Description: **RAISED ELEPHANT FOOT SOCKET**
 Weight [kg]: 4.9
 Material: Bended/welded high tensile steel plates

Breaking load Tension [kN]: 200
 Breaking load Shear [kN]: -

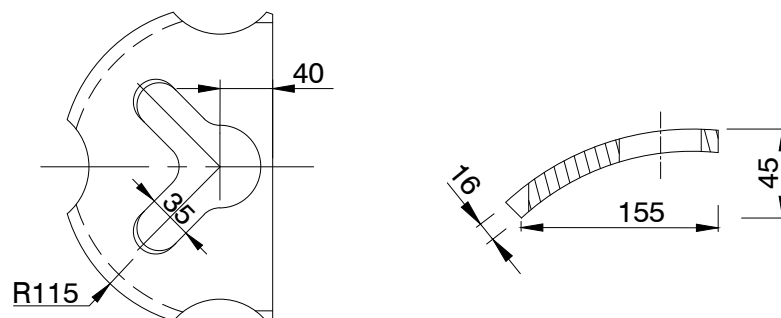
Finish: Shot blasted + Weldable primer
 Remarks: Fixed lashing point for elephant foot (HO-1421/HO-220M).
 Other sizes upon request.



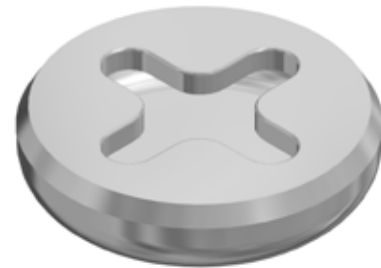
Reference: **LP-62-S**
 Description: **HALF RAISED ELEPHANT FOOT SOCKET**
 Weight [kg]: 2.5
 Material: Bended/welded high tensile steel plates

Breaking load Tension [kN]: 200
 Breaking load Shear [kN]: -

Finish: Shot blasted + Weldable primer
 Remarks: Fixed lashing point for elephant foot (HO-1421/HO-220M).
 Other sizes upon request.

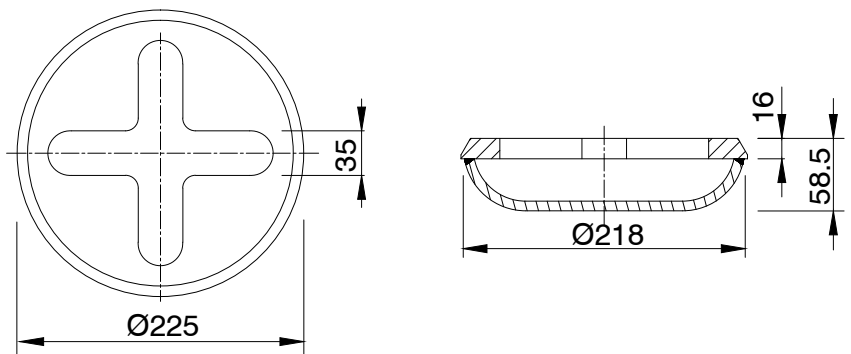


Reference: **LP-81-B**
 Description: **FLUSH ELEPHANT FOOT SOCKET**
 Weight [kg]: 7.3
 Material: Bended/welded high tensile steel plates

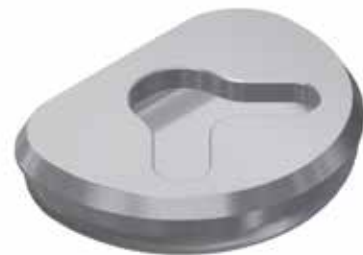


Breaking load Tension [kN]: 200
 Breaking load Shear [kN]: -

Finish: Shot blasted + Weldable primer
 Remarks: Fixed lashing point for elephant foot (HO-1421/HO-220M).
 Other sizes upon request. Plastic plugs for ISO-holes can also be requested.

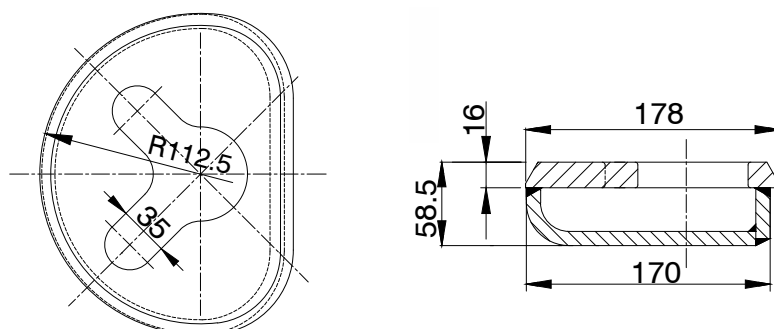


Reference: **LP-82-B**
 Description: **HALF FLUSH ELEPHANT FOOT SOCKET**
 Weight [kg]: 6.4
 Material: Bended/welded high tensile steel plates



Breaking load Tension [kN]: 200
 Breaking load Shear [kN]: -

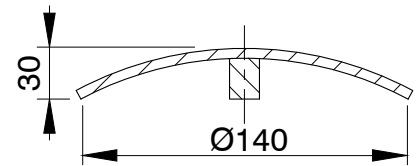
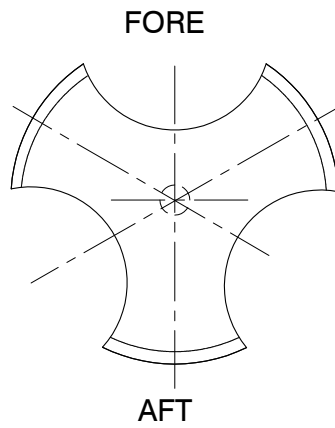
Finish: Shot blasted + Weldable primer
 Remarks: Fixed lashing point for elephant foot (HO-1421/HO-220M).
 Other sizes upon request. Plastic plugs for ISO-holes can also be requested.



Reference: **LP-66**
 Description: **RAISED CARLASHING SOCKET**
 Weight [kg]: 0,6
 Material: Bended/welded high tensile steel plates/round bars

Breaking load Tension [kN]: 40
 Breaking load Shear [kN]: -

Finish: Shot blasted + Weldable primer
 Remarks: Fixed lashing point for carlashings.



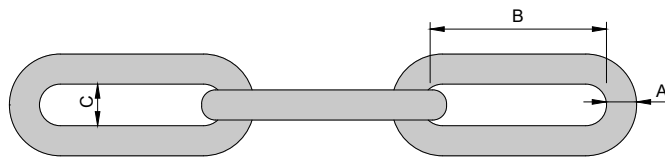
CHAPTER 6

LASHING CHAINS, CHAINTURNBUCKLES AND TENSION LEVERS

Reference: **CL-9**
 Description: **CHAIN 9mm**
 Weight [kg]: 1,45
 Material: High-tensile steel

Breaking load Tension [kN]: 100
 Breaking load Shear [kN]: -

Finish: Painted
 Remarks: Customized colours and lengths possible.



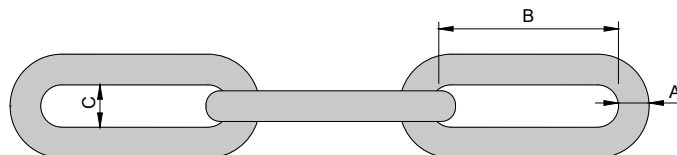
CHAIN REF.	Chain diameter A [mm]	Inside length B [mm]	Inside width C [mm]	Weight per meter [kg]
CL-9	9	57	16	1,45



Reference: **CL-11**
 Description: **CHAIN 11mm**
 Weight [kg]: 2,15
 Material: High-tensile steel

Breaking load Tension [kN]: 150
 Breaking load Shear [kN]: -

Finish: Painted
 Remarks: Customized colours and lengths possible.



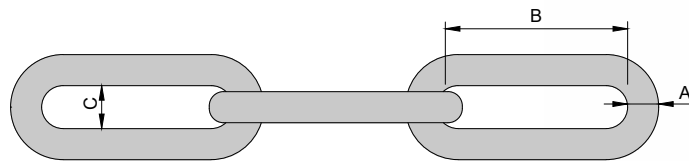
CHAIN REF.	Chain diameter A [mm]	Inside length B [mm]	Inside width C [mm]	Weight per meter [kg]
CL-11	11	66	18	2,15



Reference: **CL-13**
 Description: **CHAIN 13mm**
 Weight [kg]: 3
 Material: High-tensile steel

Breaking load Tension [kN]: 200
 Breaking load Shear [kN]: -

Finish: Painted
 Remarks: Customized colours and lengths possible.



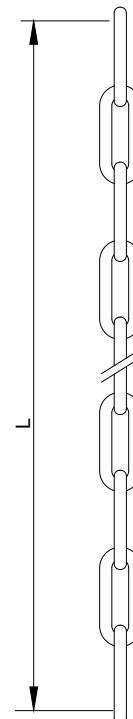
CHAIN REF.	Chain diameter A [mm]	Inside length B [mm]	Inside width C [mm]	Weight per meter [kg]
CL-13	13	81	22	3.00



Reference: **LAo + diam + length**
 Description: **CHAINLASHING WITHOUT END FITTINGS**
 Weight [kg]: -
 Material: High-tensile steel

Breaking load Tension [kN]: -
 Breaking load Shear [kN]: -

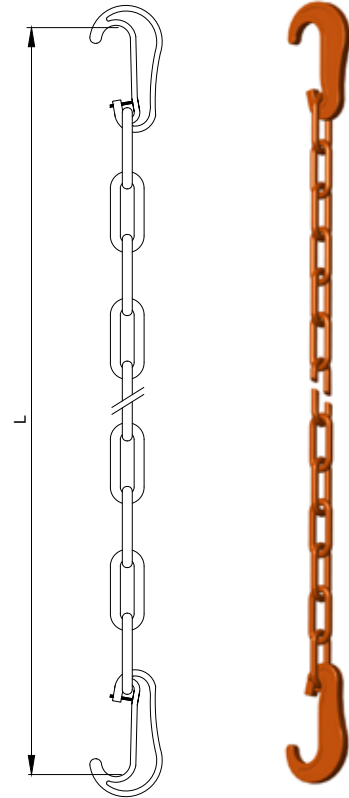
Finish: Painted
 Remarks: Customized colours and lengths possible.



Reference: **LA1 + diam + length**
 Description: **CHAINLASHING HOOK/HOOK**
 Weight [kg]: -
 Material: High-tensile steel

Breaking load Tension [kN]: -
 Breaking load Shear [kN]: -

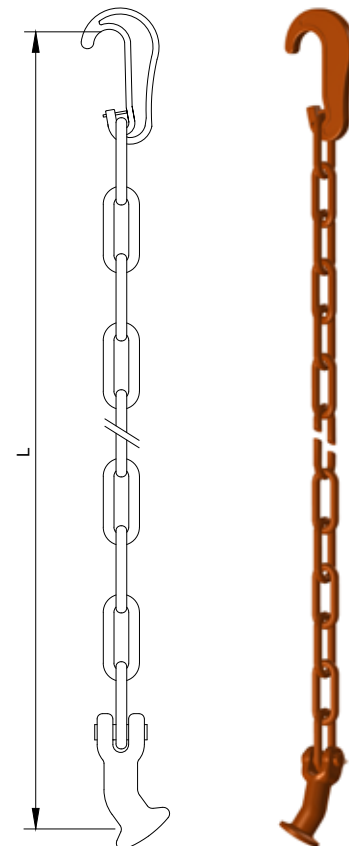
Finish: Painted
 Remarks: Customized colours and lengths possible.



Reference: **LA2 + diam + length**
 Description: **CHAINLASHING HOOK/ELEPHANT FOOT**
 Weight [kg]: -
 Material: High-tensile steel

Breaking load Tension [kN]: -
 Breaking load Shear [kN]: -

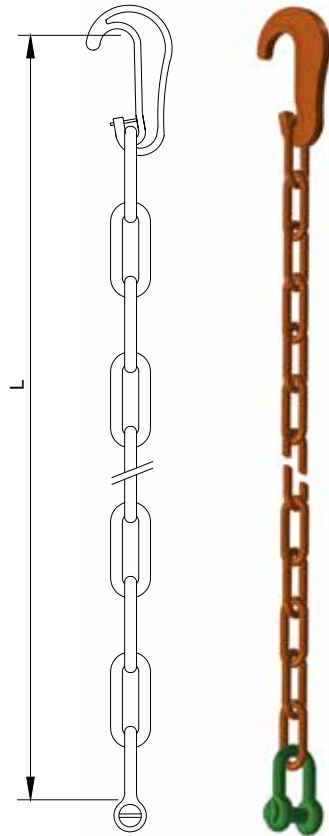
Finish: Painted
 Remarks: Customized colours and lengths possible.



Reference: **LA3 + diam + length**
Description: **CHAINLASHING HOOK/SHACKLE**
Weight [kg]: -
Material: High-tensile steel

Breaking load Tension [kN]: -
Breaking load Shear [kN]: -

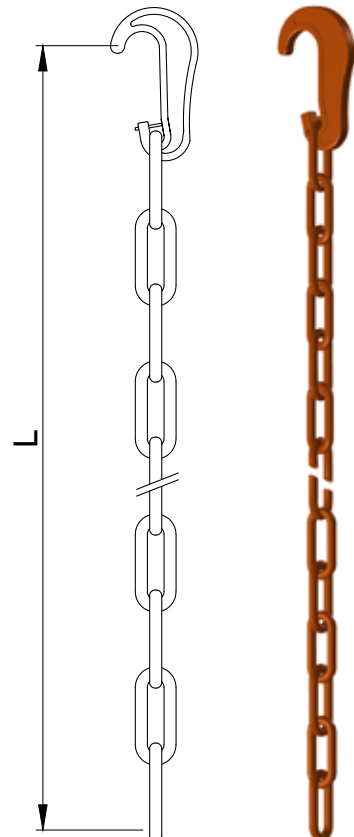
Finish: Painted
Remarks: Customized colours and lengths possible.



Reference: **LA4 + diam + length**
Description: **CHAINLASHING HOOK/ONE SIDE ONLY**
Weight [kg]: -
Material: High-tensile steel

Breaking load Tension [kN]: -
Breaking load Shear [kN]: -

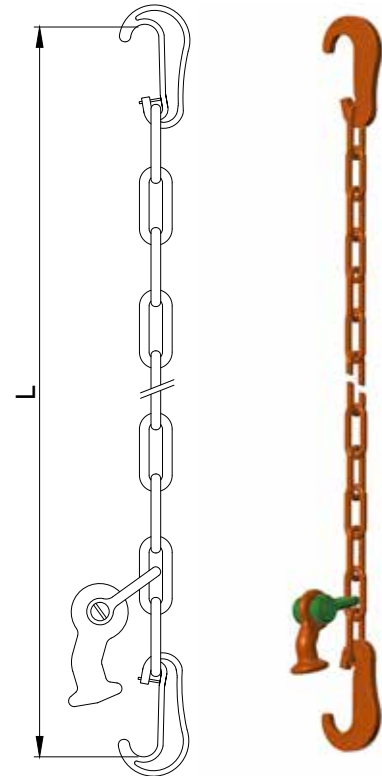
Finish: Painted
Remarks: Customized colours and lengths possible.



Reference: **LA7 + diam + length**
 Description: **CHAINLASHING HOOK/HOOK-ELEPHANT FOOT**
 Weight [kg]: -
 Material: High-tensile steel

Breaking load Tension [kN]: -
 Breaking load Shear [kN]: -

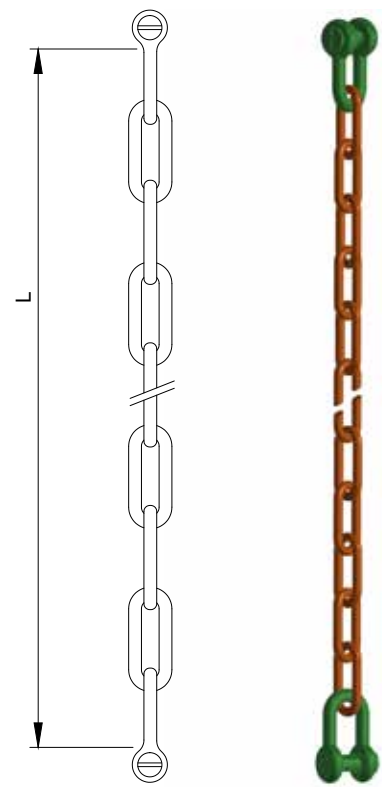
Finish: Painted
 Remarks: Customized colours and lengths possible.



Reference: **LA8 + diam + length**
 Description: **CHAINLASHING SHACKLE/SHACKLE**
 Weight [kg]: -
 Material: High-tensile steel

Breaking load Tension [kN]: -
 Breaking load Shear [kN]: -

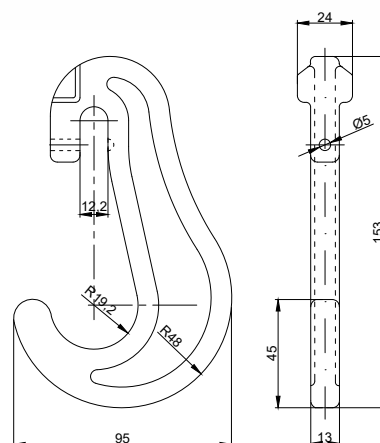
Finish: Painted
 Remarks: Customized colours and lengths possible.



Reference: **HO-1310**
 Description: **C-HOOK 9mm**
 Weight [kg]: 0,6
 Material: Drop forged steel

Breaking load Tension [kN]: 100
 Breaking load Shear [kN]: -

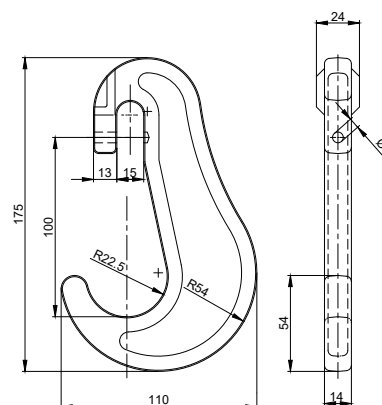
Finish: Powder coated or dipped
 Remarks: To be used with 9 mm chain.



Reference: **HO-1315**
 Description: **C-HOOK 11mm**
 Weight [kg]: 0,85
 Material: Drop forged steel

Breaking load Tension [kN]: 150
 Breaking load Shear [kN]: -

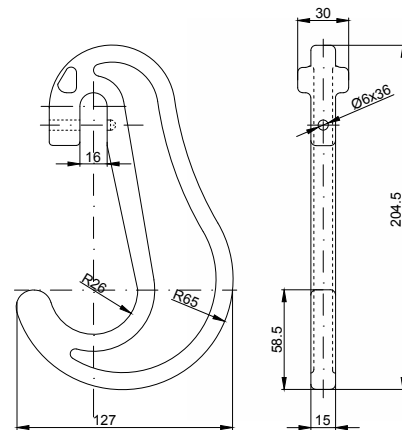
Finish: Powder coated or dipped
 Remarks: To be used with 11 mm chain.



Reference: **HO-1321**
 Description: **C-HOOK 13mm**
 Weight [kg]: 1,3
 Material: Drop forged steel

Breaking load Tension [kN]: 200
 Breaking load Shear [kN]: -

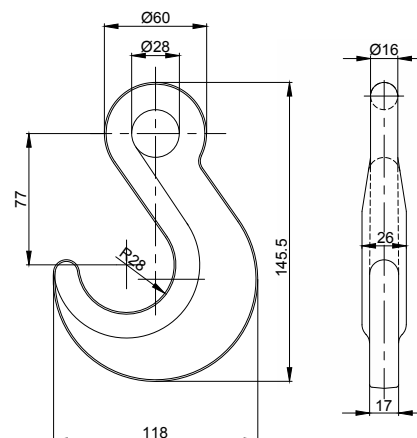
Finish: Powder coated or dipped
 Remarks: To be used with 13 mm chain.



Reference: **HO-1220**
 Description: **EYE HOOK**
 Weight [kg]: 1,3
 Material: Drop forged steel

Breaking load Tension [kN]: 200
 Breaking load Shear [kN]: -

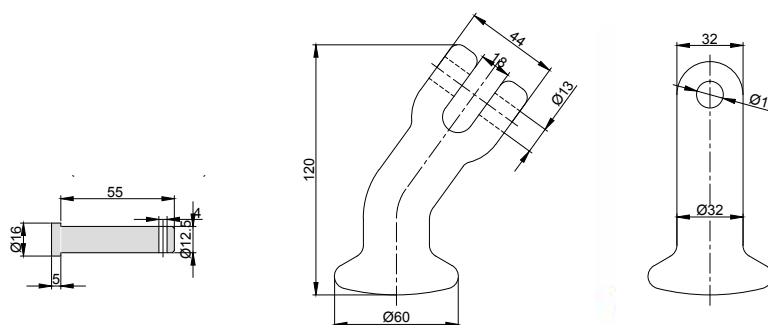
Finish: Powder coated or dipped
 Remarks: To be used with 9/11/13 mm chain.



Reference: **HO-1421(F)**
 Description: **ELEPHANT FOOT**
 Weight [kg]: 1,05
 Material: Drop forged steel

Breaking load Tension [kN]: 200
 Breaking load Shear [kN]: -

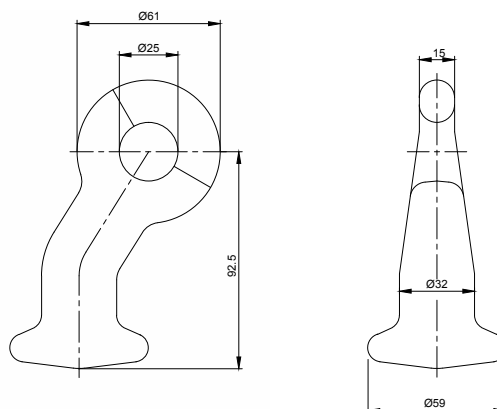
Finish: Powder coated or dipped
 Remarks: To be used with 9/11/13 mm chain.



Reference: **HO-220M**
 Description: **EYE ELEPHANT FOOT**
 Weight [kg]: 0,9
 Material: Drop forged steel

Breaking load Tension [kN]: 200
 Breaking load Shear [kN]: -

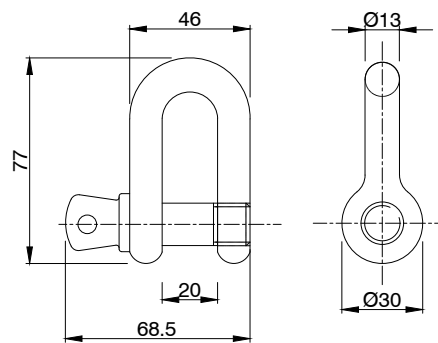
Finish: Powder coated or dipped
 Remarks: To be used with 9/11/13 mm chain.



Reference: **HO-1915**
 Description: **SCREW PIN SHACKLE**
 Weight [kg]: 0,27
 Material: Drop forged steel

Breaking load Tension [kN]: 150
 Breaking load Shear [kN]: -

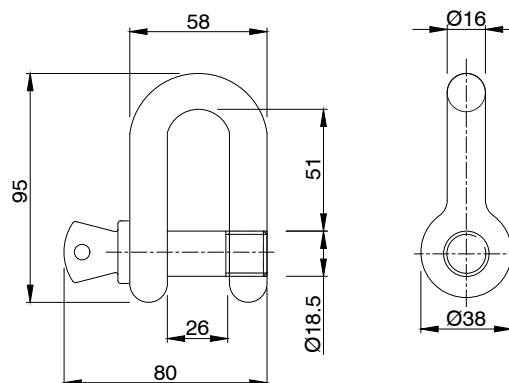
Finish: Painted
 Remarks: To be used with 11mm chain.



Reference: **HO-1920**
 Description: **SCREW PIN SHACKLE**
 Weight [kg]: 0,5
 Material: Drop forged steel

Breaking load Tension [kN]: 200
 Breaking load Shear [kN]: -

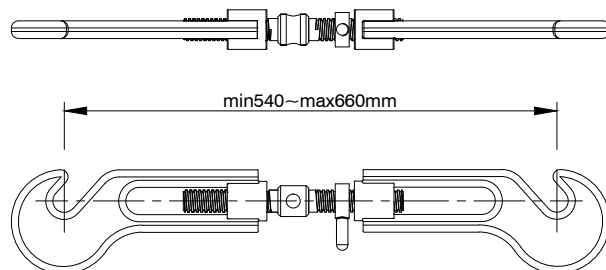
Finish: Painted
 Remarks: To be used with 13mm chain.



Reference: **ST-1022**
 Description: **CHAIN TURNBUCKLE HOOK/HOOK**
 Weight [kg]: 6
 Material: Drop forged steel

Breaking load Tension [kN]: 200
 Breaking load Shear [kN]: -

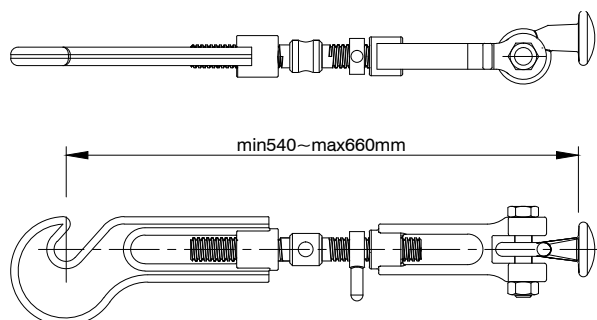
Finish: Hot dip galvanized
 Remarks: To tighten 13mm chain.



Reference: **ST-1023-G**
 Description: **CHAIN TURNBUCKLE HOOK/ELEPHANT FOOT**
 Weight [kg]: 6,1
 Material: Drop forged steel

Breaking load Tension [kN]: 200
 Breaking load Shear [kN]: -

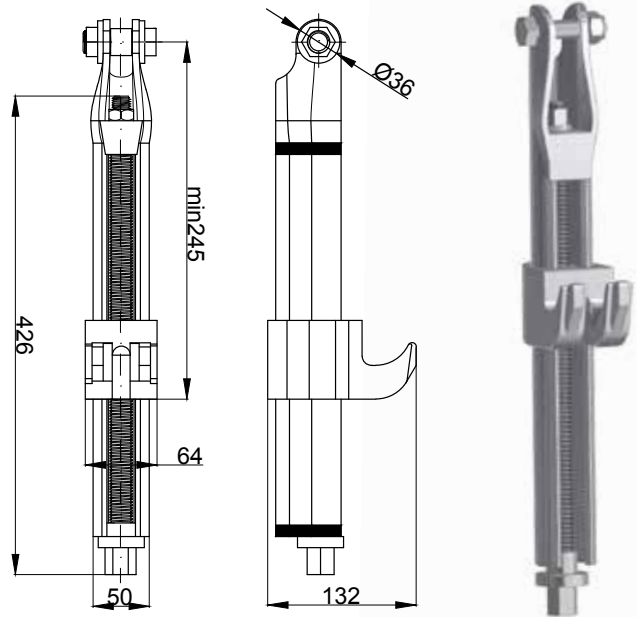
Finish: Hot dip galvanized
 Remarks: To tighten 13mm chain.



Reference: **AST-30**
 Description: **SPEEDLASH**
 Weight [kg]: 5.65
 Material: Drop forged steel

Breaking load Tension [kN]: 200
 Breaking load Shear [kN]: -

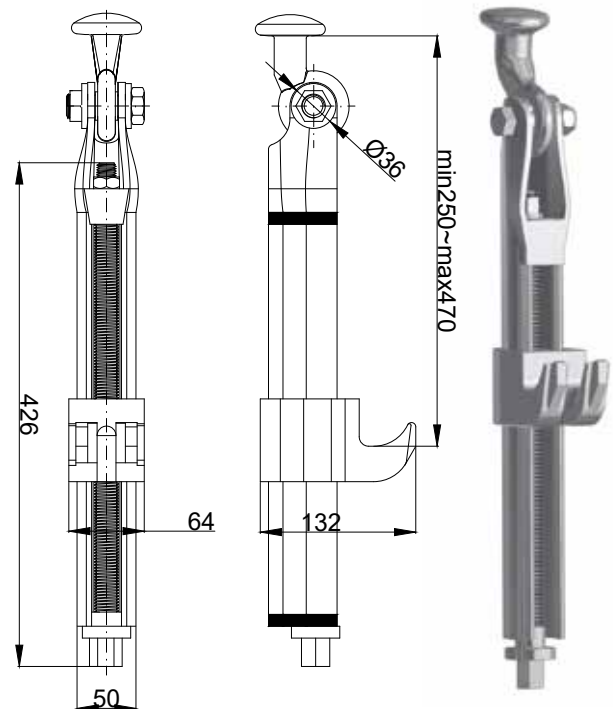
Finish: Hot dip galvanized
 Remarks: To tighten 13mm chain.



Reference: **AST-31**
 Description: **SPEEDLASH WITH ELEPHANT FOOT**
 Weight [kg]: 6.4
 Material: Drop forged steel

Breaking load Tension [kN]: 200
 Breaking load Shear [kN]: -

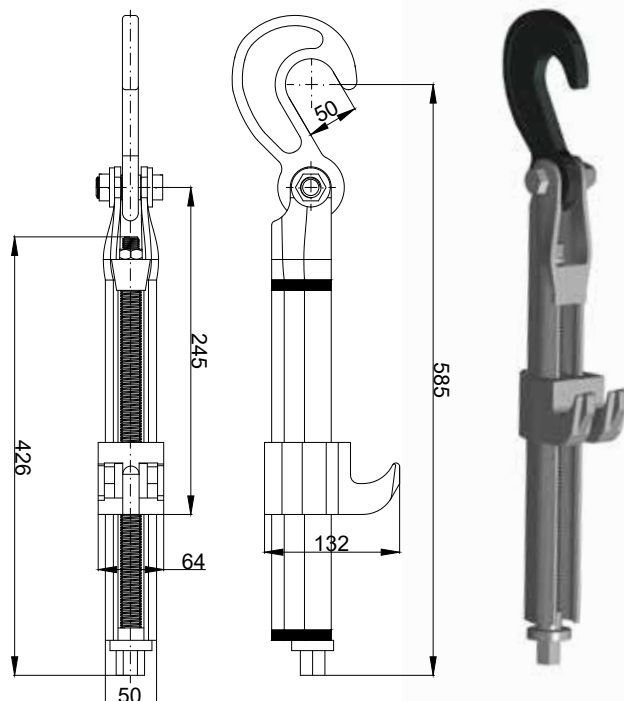
Finish: Hot dip galvanized
 Remarks: To tighten 13mm chain.



Reference: **AST-32**
Description: **SPEEDLASH WITH HOOK**
Weight [kg]: 6.9
Material: Drop forged steel

Breaking load Tension [kN]: 200
Breaking load Shear [kN]: -

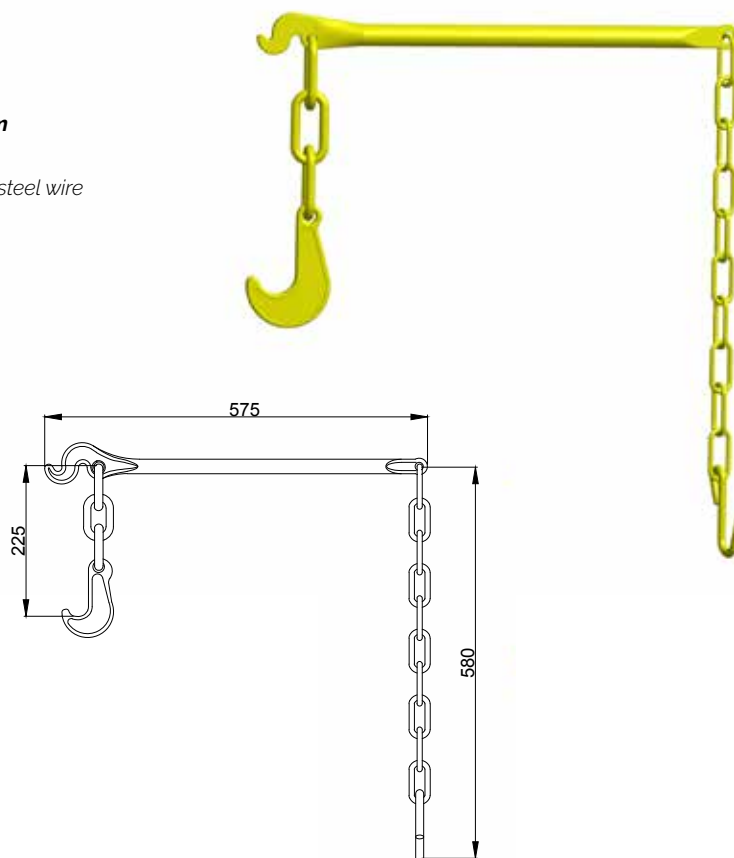
Finish: Hot dip galvanized
Remarks: To tighten 13mm chain.



Reference: **LT-610**
Description: **TENSION LEVER 9mm**
Weight [kg]: 3.25
Material: Forged steel, bended steel wire

Breaking load Tension [kN]: 100
Breaking load Shear [kN]: -

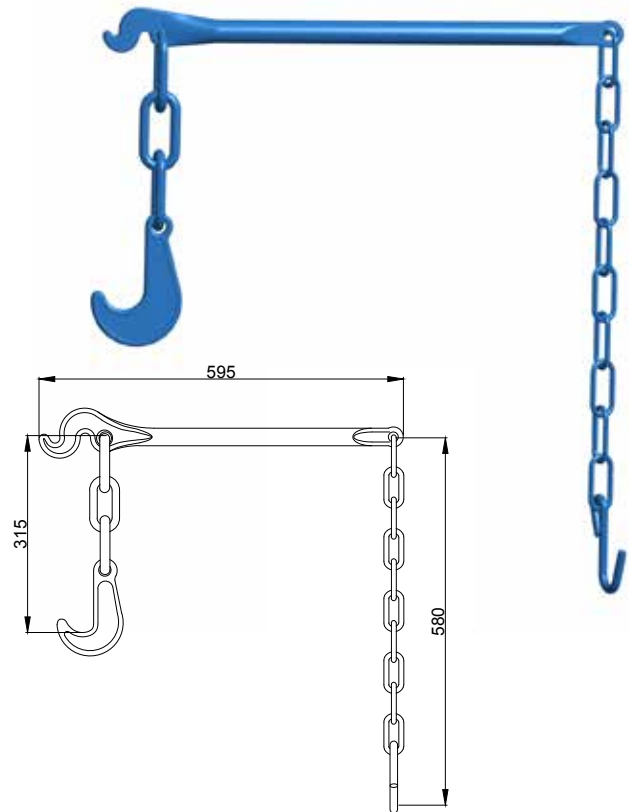
Finish: Primer painted
Remarks: To tighten 9mm chain.



Reference: **LT-615**
 Description: **TENSION LEVER 11mm**
 Weight [kg]: 4.3
 Material: Forged steel, bended steel wire

Breaking load Tension [kN]: 150
 Breaking load Shear [kN]: -

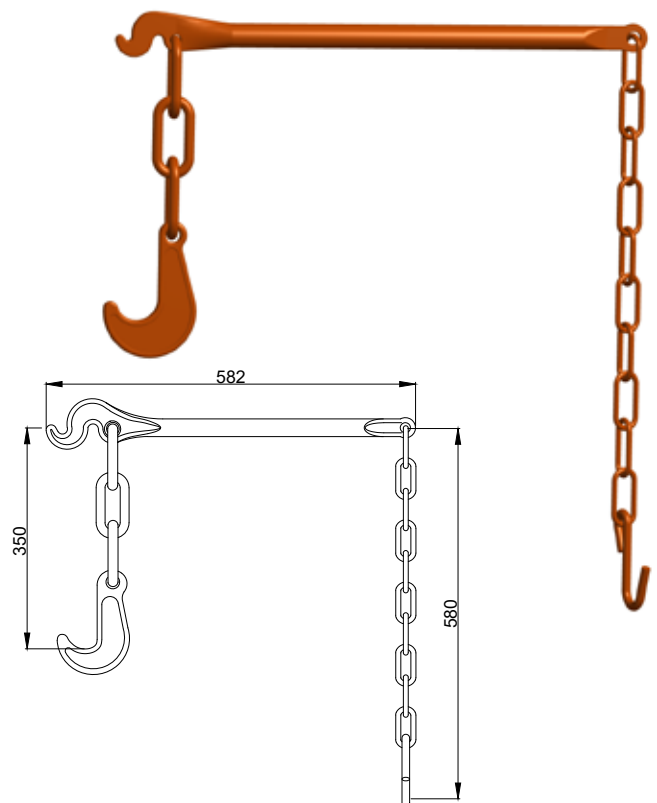
Finish: Primer painted
 Remarks: To tighten 11mm chain.



Reference: **LT-620**
 Description: **TENSION LEVER 13mm**
 Weight [kg]: 5.55
 Material: Forged steel, bended steel wire

Breaking load Tension [kN]: 200
 Breaking load Shear [kN]: -

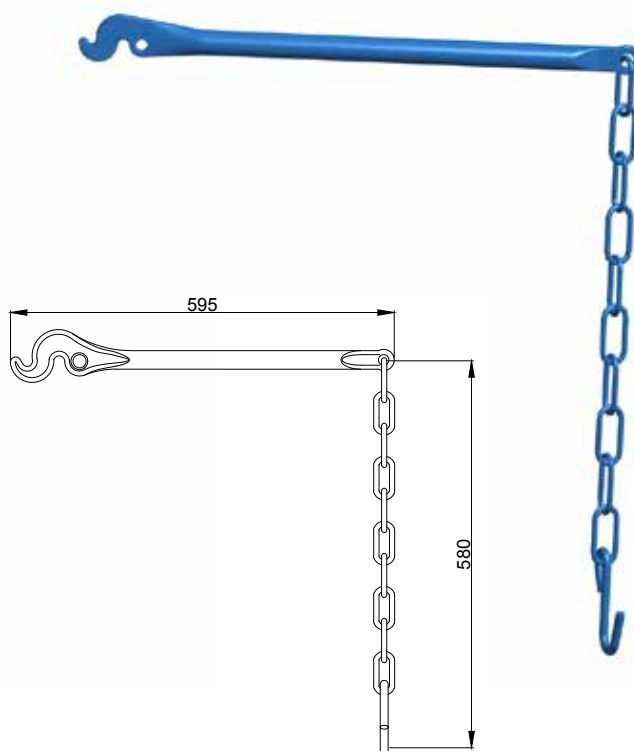
Finish: Primer painted
 Remarks: To tighten 13mm chain.



Reference: **LT-815**
 Description: **TENSION LEVER 11mm**
 Weight [kg]: 3.5
 Material: Forged steel, bended steel wire

Breaking load Tension [kN]: 150
 Breaking load Shear [kN]: -

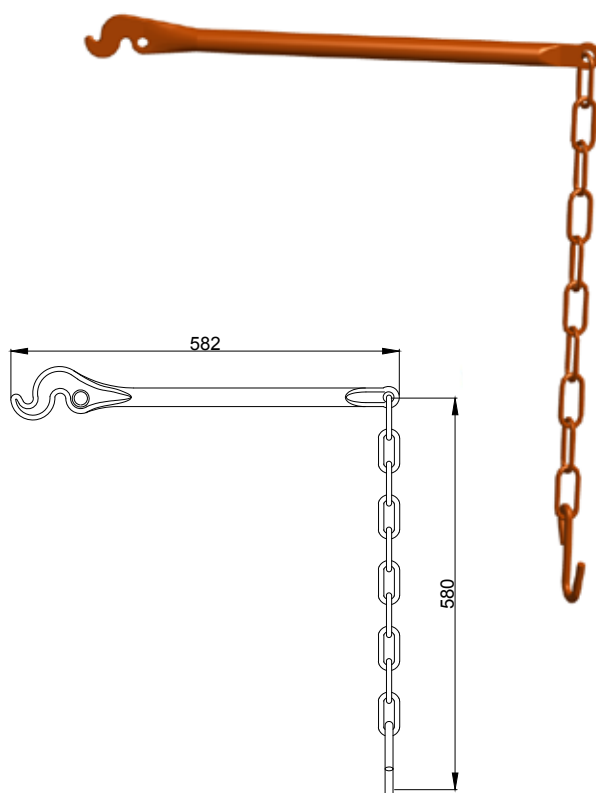
Finish: Primer painted
 Remarks: To tighten 11mm chain.



Reference: **LT-820**
 Description: **TENSION LEVER 13mm**
 Weight [kg]: 4.0
 Material: Forged steel, bended steel wire

Breaking load Tension [kN]: 200
 Breaking load Shear [kN]: -

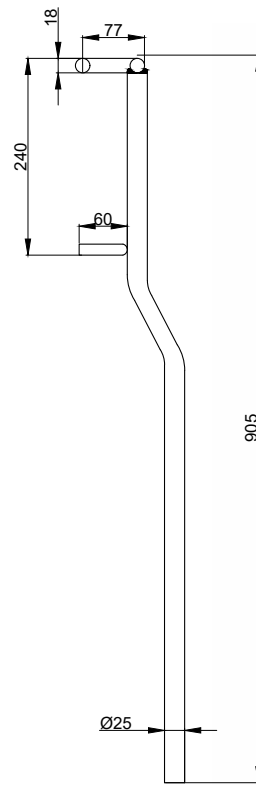
Finish: Primer painted
 Remarks: To tighten 13mm chain.



Reference: **LT-7**
Description: **EXTENSION HANDLE**
Weight [kg]: 3.9
Material: Forged steel, bended steel wire

Breaking load Tension [kN]: -
Breaking load Shear [kN]: -

Finish: Primer painted
Remarks: To tighten tension lever.



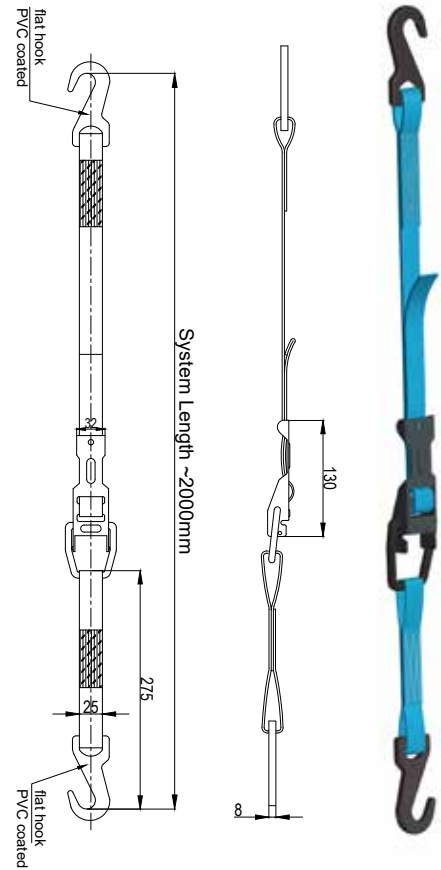
CHAPTER 7

WEBLASHINGS, TRAILERHORSES AND CHOCKS

Reference: **CARL-15**
 Description: **CARLASHING 1.5T**
 Weight [kg]: 0,45
 Material: 100% polyester + Plastified steel hooks & ratchet

Breaking load Tension [kN]: 15
 Breaking load Shear [kN]: -

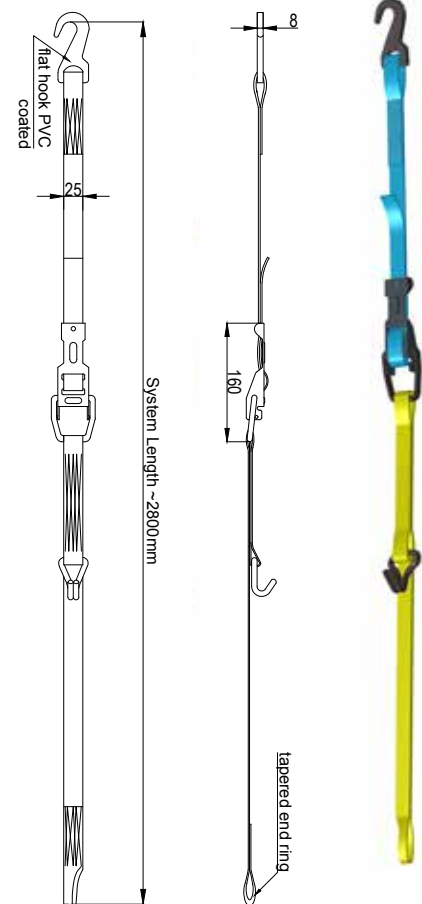
Finish: -
 Remarks: To secure cars in the holds.
 Other executions upon request.



Reference: **CARL-15L**
 Description: **CARLASHING 1.5T WITH LOOP**
 Weight [kg]: 0,5
 Material: 100% polyester + Plastified steel hooks & ratchet

Breaking load Tension [kN]: 15
 Breaking load Shear [kN]: -

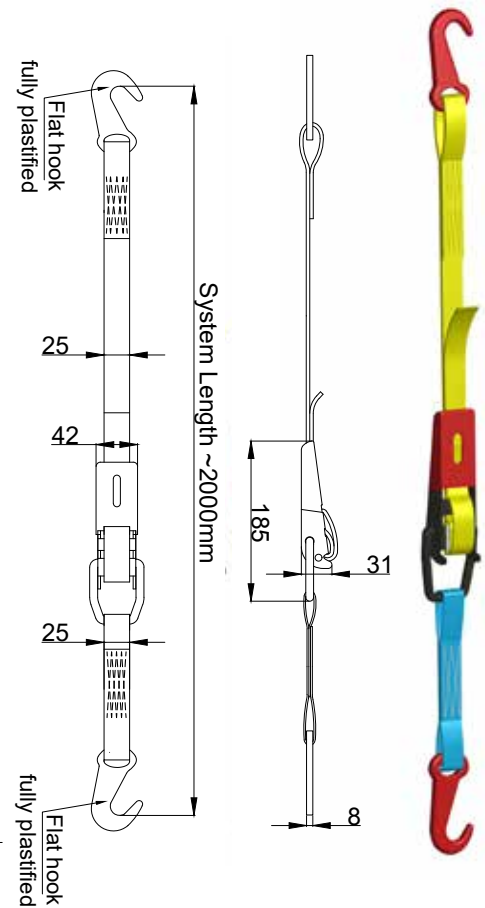
Finish: -
 Remarks: To secure cars in the holds.
 Other executions upon request.



Reference: **CARL-20**
 Description: **CARLASHING 2T**
 Weight [kg]: 0,65
 Material: 100% polyester + Plastified steel hooks & ratchet

Breaking load Tension [kN]: 20
 Breaking load Shear [kN]: -

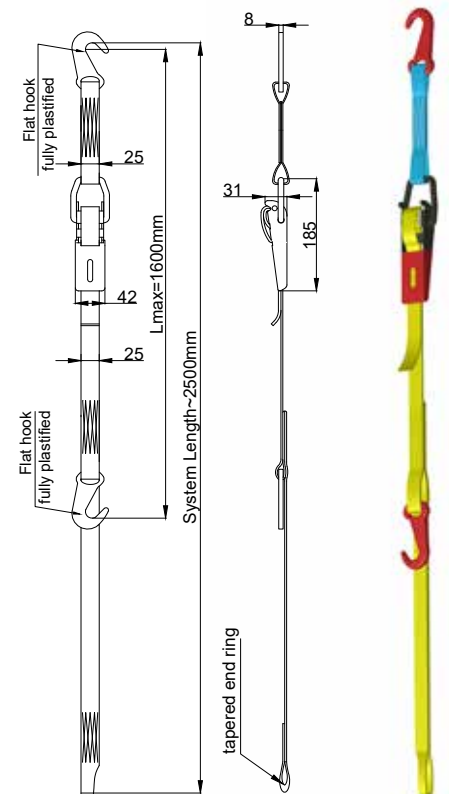
Finish: -
 Remarks: To secure cars in the holds.
 Other executions upon request.



Reference: **CARL-20L**
 Description: **CARLASHING 2T WITH LOOP**
 Weight [kg]: 0,7
 Material: 100% polyester + Plastified steel hooks & ratchet

Breaking load Tension [kN]: 20
 Breaking load Shear [kN]: -

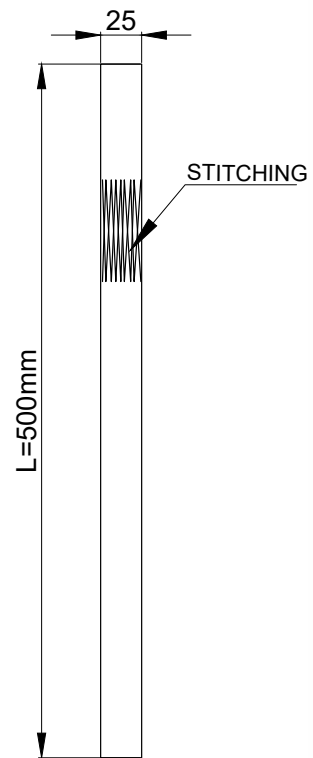
Finish: -
 Remarks: To secure cars in the holds.
 Other executions upon request.



Reference: **CRL-20**
 Description: **CARLOOP 2T**
 Weight [kg]: 0,03
 Material: 100% polyester

Breaking load Tension [kN]: 20
 Breaking load Shear [kN]: -

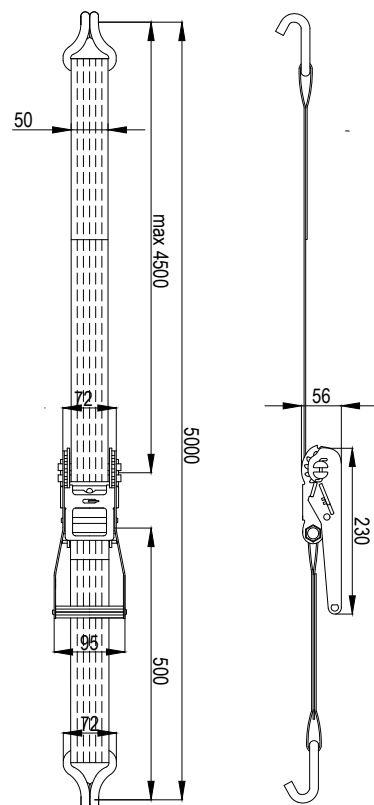
Finish: -
 Remarks: To secure cars in the holds.
 Other executions upon request.



Reference: **WL-40-5**
 Description: **WEBLASHING 5T, 5M HOOK/HOOK**
 Weight [kg]: 2,0
 Material: 100% polyester + Steel hooks & ratchet

Breaking load Tension [kN]: 50
 Breaking load Shear [kN]: -

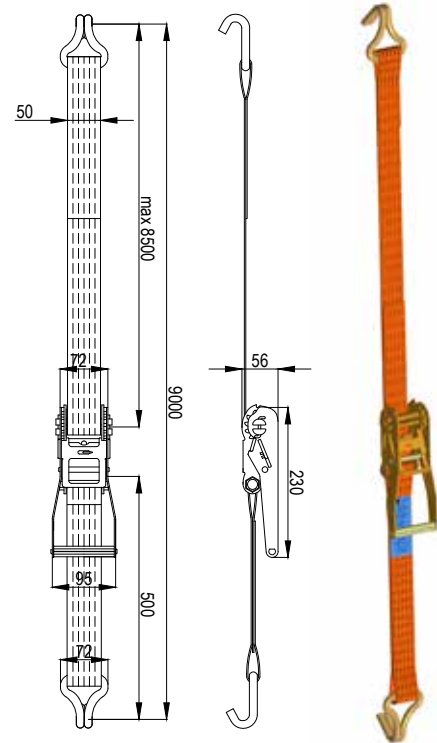
Finish: -
 Remarks: To secure cargo in the holds.
 Other executions upon request.



Reference: **WL-40-9**
 Description: **WEBLASHING 5T, 9M HOOK/HOOK**
 Weight [kg]: 2.4
 Material: 100% polyester + Steel hooks & ratchet

Breaking load Tension [kN]: 50
 Breaking load Shear [kN]: -

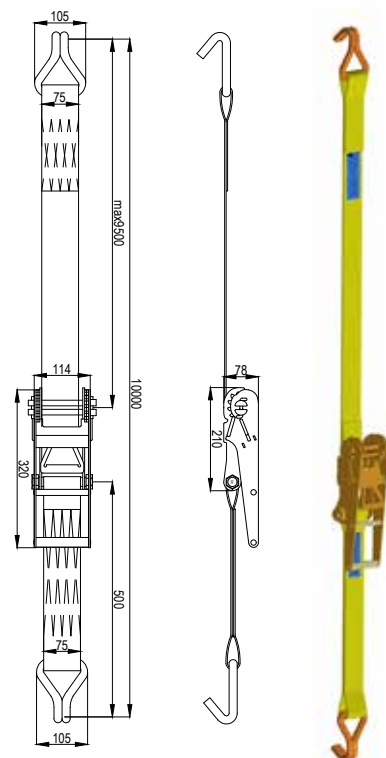
Finish: -
 Remarks: To secure cargo in the holds.
 Other executions upon request.



Reference: **WL-100-10**
 Description: **WEBLASHING 10T, 10M HOOK/HOOK**
 Weight [kg]: 7.15
 Material: 100% polyester + Steel hooks & ratchet

Breaking load Tension [kN]: 100
 Breaking load Shear [kN]: -

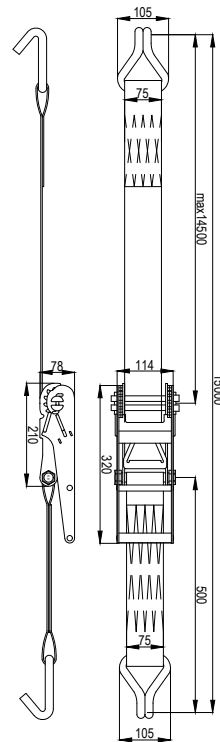
Finish: -
 Remarks: To secure cargo in the holds.
 Other executions upon request.



Reference: **WL-100-15**
 Description: **WEBLASHING 10T, 15M HOOK/HOOK**
 Weight [kg]: 8,3
 Material: 100% polyester + Steel hooks & ratchet

Breaking load Tension [kN]: 100
 Breaking load Shear [kN]: -

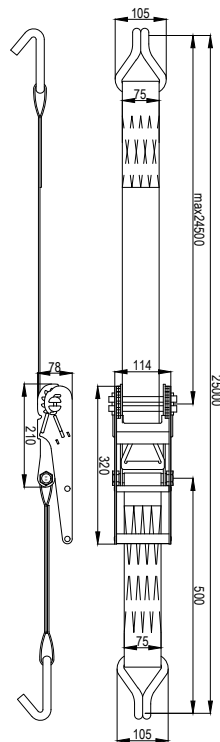
Finish: -
 Remarks: To secure cargo in the holds.
 Other executions upon request.



Reference: **WL-100-25**
 Description: **WEBLASHING 10T, 25M HOOK/HOOK**
 Weight [kg]: 10,8
 Material: 100% polyester + Steel hooks & ratchet

Breaking load Tension [kN]: 100
 Breaking load Shear [kN]: -

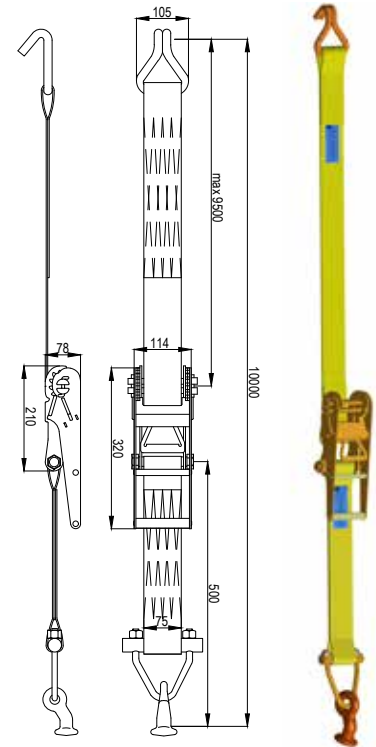
Finish: -
 Remarks: To secure cargo in the holds.
 Other executions upon request.



Reference: **WL-100-10-HK/EF**
 Description: **WEBLASHING 10T, 10m HOOK/ELEPHANT FOOT**
 Weight [kg]: 7.9
 Material: 100% polyester + Steel hook, elephant foot & ratchet

Breaking load Tension [kN]: 100
 Breaking load Shear [kN]: -

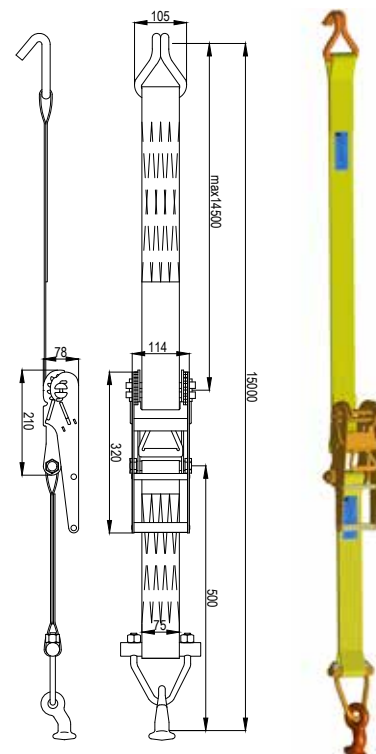
Finish: -
 Remarks: To secure cargo in the holds.
 Other executions upon request.



Reference: **WL-100-15-HK/EF**
 Description: **WEBLASHING 10T, 15m HOOK/ELEPHANT FOOT**
 Weight [kg]: 9.05
 Material: 100% polyester + Steel hook, elephant foot & ratchet

Breaking load Tension [kN]: 100
 Breaking load Shear [kN]: -

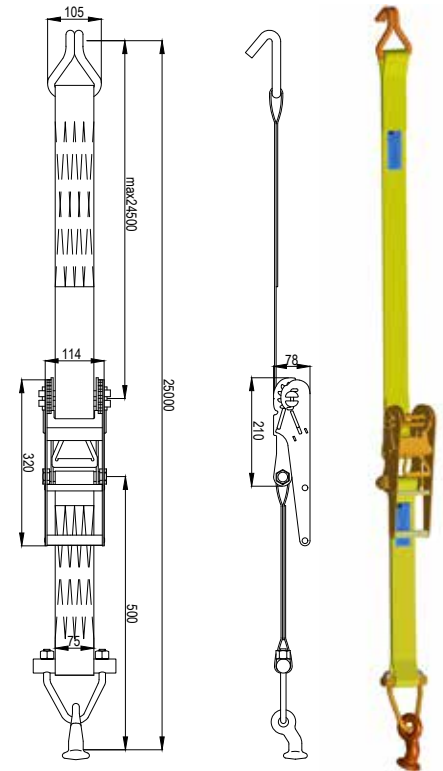
Finish: -
 Remarks: To secure cargo in the holds.
 Other executions upon request.



Reference: **WL-100-25-HK/EF**
 Description: **WEBLASHING 10T, 25m HOOK/ELEPHANT FOOT**
 Weight [kg]: 11,55
 Material: 100% polyester + Steel hook, elephant foot & ratchet

Breaking load Tension [kN]: 100
 Breaking load Shear [kN]: -

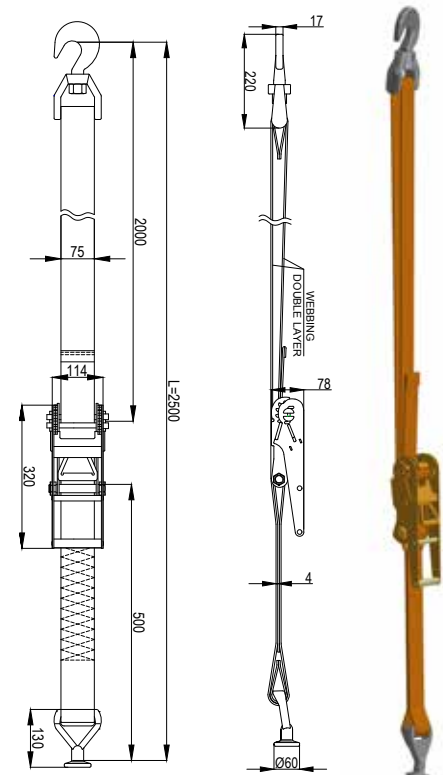
Finish: -
 Remarks: To secure cargo in the holds.
 Other executions upon request.



Reference: **WL-200-2,5M-HK/EF**
 Description: **TRAILERLASHING 20T, 2,5m HOOK/ELEPHANT FOOT**
 Weight [kg]: 8,1
 Material: 100% polyester + Steel hook, elephant foot & ratchet

Breaking load Tension [kN]: 200
 Breaking load Shear [kN]: -

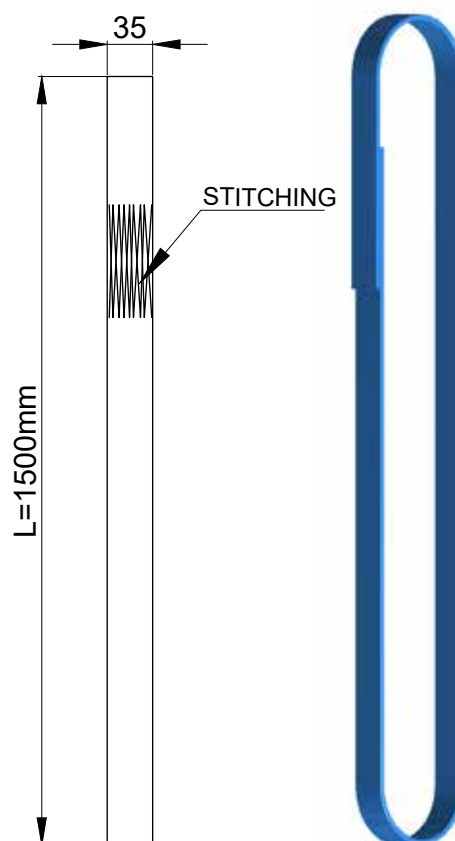
Finish: -
 Remarks: To secure trailers in the holds.
 Other executions upon request.



Reference: **TL-50**
 Description: **TRUCKLOOP 5T**
 Weight [kg]: 0,2
 Material: 100% polyester

Breaking load Tension [kN]: 50
 Breaking load Shear [kN]: -

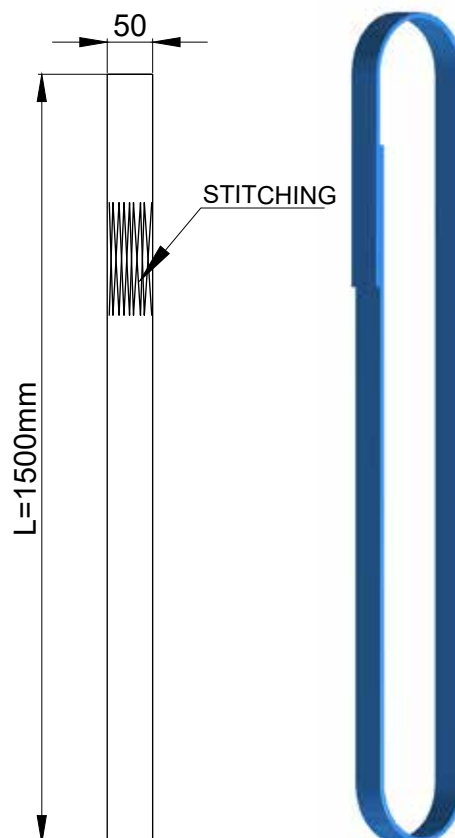
Finish: -
 Remarks: To secure trucks in the holds.
 Other executions upon request.



Reference: **TL-105**
 Description: **TRUCKLOOP 10T**
 Weight [kg]: 0,35
 Material: 100% polyester

Breaking load Tension [kN]: 100
 Breaking load Shear [kN]: -

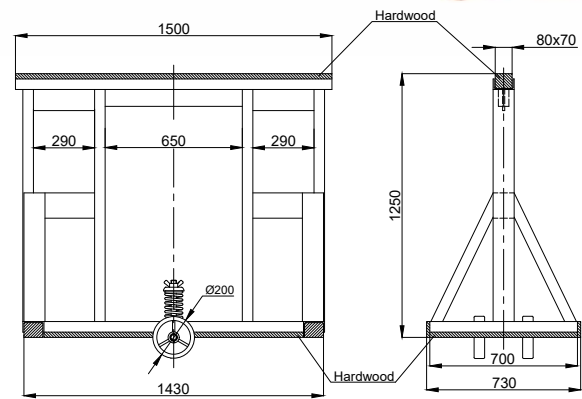
Finish: -
 Remarks: To secure trucks in the holds.
 Other executions upon request.



Reference: **TH-1-0**
 Description: **STANDARD TRAILER HORSE, L= 1500mm**
 Weight [kg]: 146.8
 Material: Steel profiles + Hard wood

Breaking load Tension [kN]: -
 Breaking load Shear [kN]: -

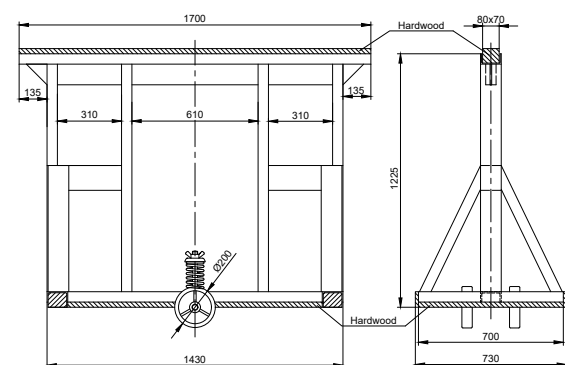
Finish: Primer painted
 Remarks: To support trailers.



Reference: **TH-7-0**
 Description: **STANDARD TRAILER HORSE, L= 1700mm**
 Weight [kg]: 154.0
 Material: Steel profiles + Hard wood

Breaking load Tension [kN]: -
 Breaking load Shear [kN]: -

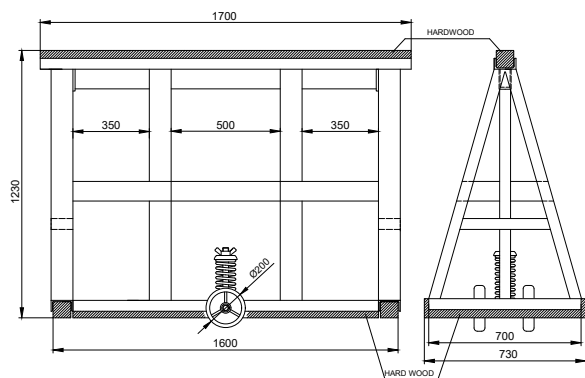
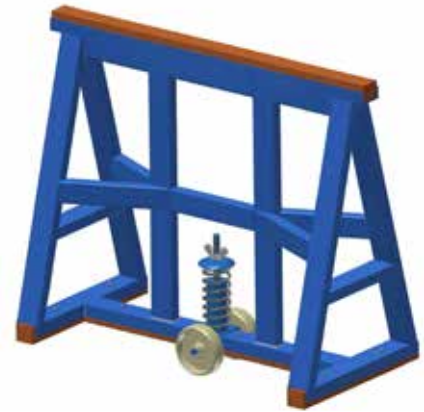
Finish: Primer painted
 Remarks: To support trailers.



Reference: **TH-7**
 Description: **HEAVY DUTY TRAILER HORSE, L= 1700mm**
 Weight [kg]: 167
 Material: Steel profiles + Hard wood

Breaking load Tension [kN]: -
 Breaking load Shear [kN]: -

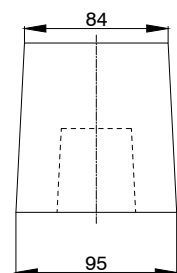
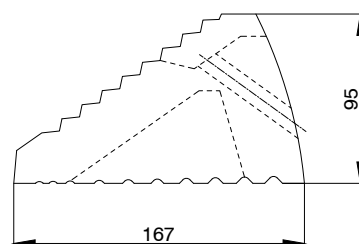
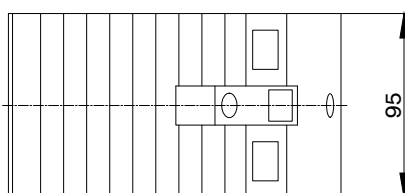
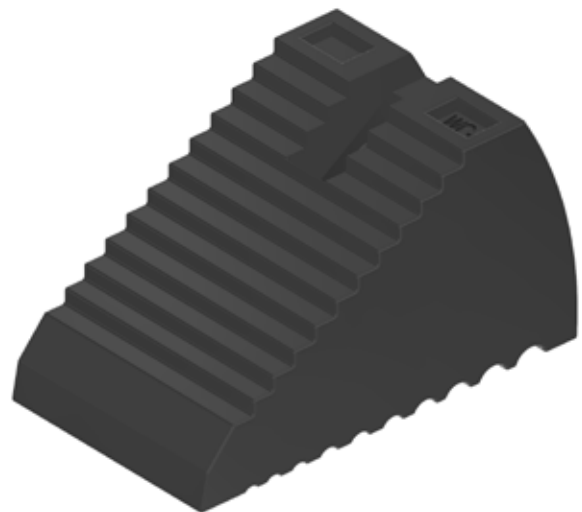
Finish: Primer painted
 Remarks: To support trailers.



Reference: **WC-1**
 Description: **CAR CHOCK**
 Weight [kg]: 1,2
 Material: Rubber

Breaking load Tension [kN]: -
 Breaking load Shear [kN]: -

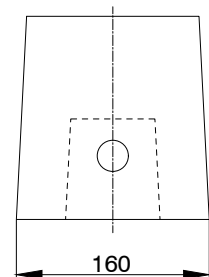
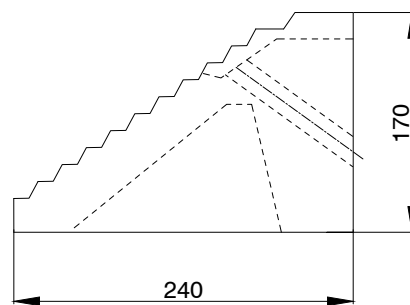
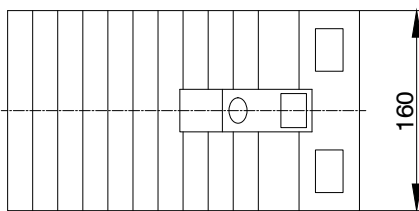
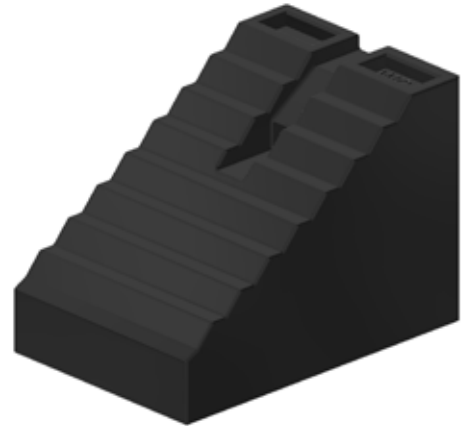
Finish: Self-coloured
 Remarks: To secure the wheels of cars and trucks.



Reference: **WC-2**
 Description: **TRAILER CHOCK**
 Weight [kg]: 5.9
 Material: Rubber

Breaking load Tension [kN]: -
 Breaking load Shear [kN]: -

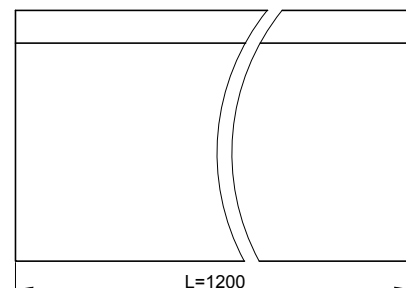
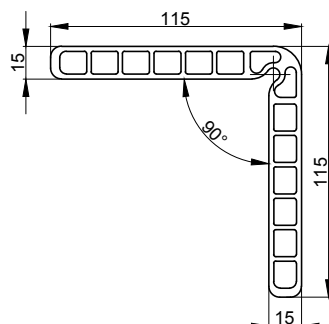
Finish: Self-coloured
 Remarks: To secure the wheels of cars and trucks.



Reference: **CE-2**
 Description: **CORNER PROTECTOR**
 Weight [kg]: 1,6
 Material: Polypropylene

Breaking load Tension [kN]: -
 Breaking load Shear [kN]: -

Finish: Self-coloured
 Remarks: To protect the edges of general cargo.
 Available in 1,2m and 2,25m.
 Can be cut at any length upon request.



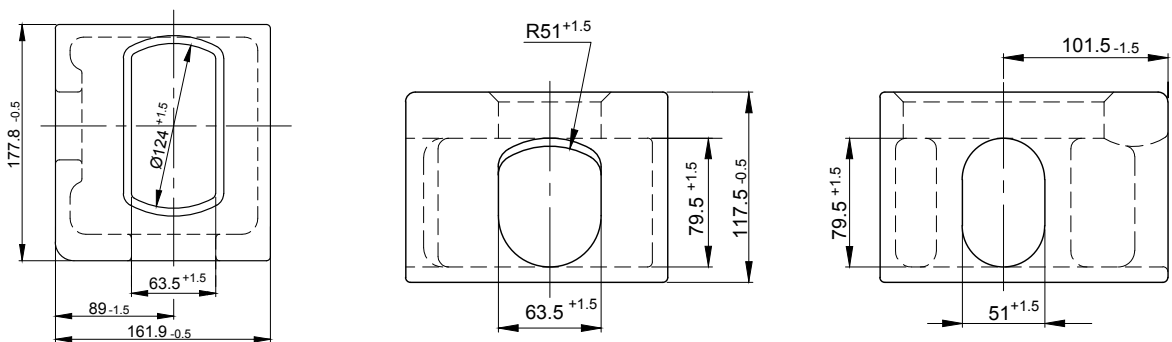
CHAPTER 8

CORNERCASTINGS

Reference: **CO-TL/CO-TR**
 Description: **TOP ISO CORNERCASTING LEFT or RIGHT**
 Weight [kg]: 11
 Material: Cast steel

Breaking load Tension [kN]: 500
 Breaking load Shear [kN]: 420

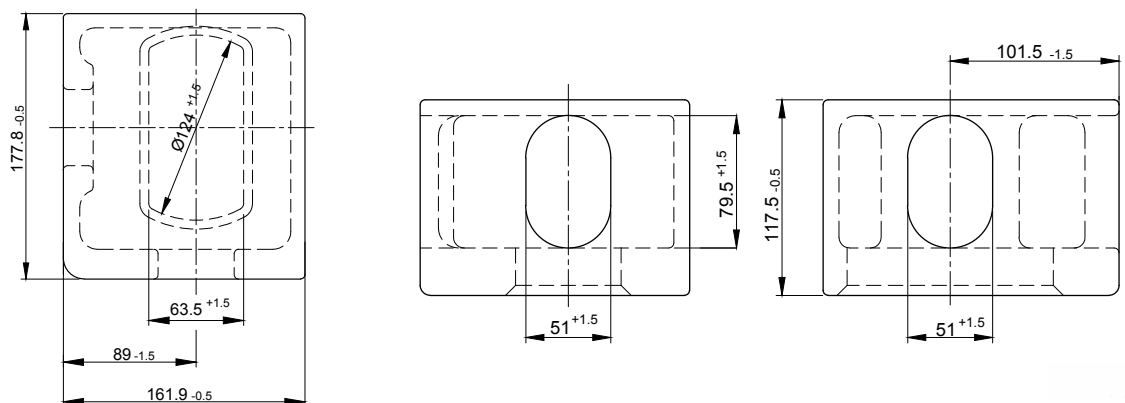
Finish: Self-coloured
 Remarks: -



Reference: **CO-BL/CO-BR**
 Description: **BOTTOM ISO CORNERCASTING LEFT or RIGHT**
 Weight [kg]: 11
 Material: Cast steel

Breaking load Tension [kN]: 500
 Breaking load Shear [kN]: 420

Finish: Self-coloured
 Remarks: -





ILS | **INTERNATIONAL[®]**
LASHING SYSTEMS

Vossesdijstraat 30 Haven 140
2030 Antwerp, Belgium

Phone + 32 3 234 28 80

Fax + 32 3 225 08 68

Email info@ils.be

Website www.ils.be