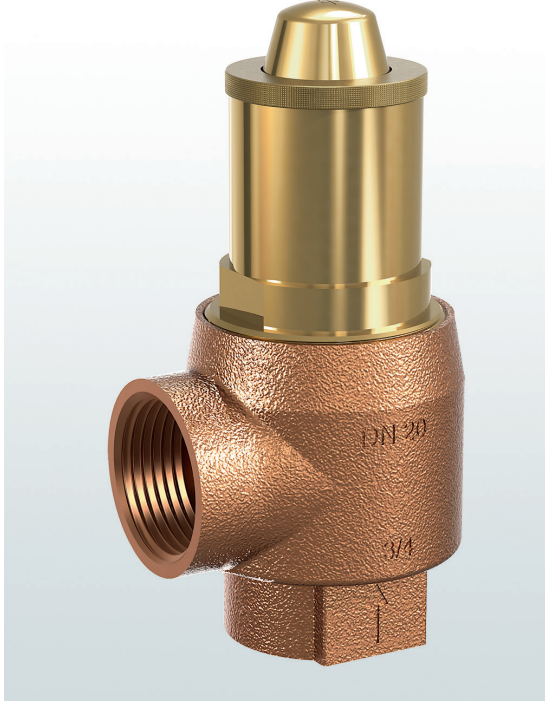


**651mWIK**

Diaphragm safety valves made of gunmetal, angle-type with threaded connections

→ **Series 651mWIK**



■ SUITABLE FOR

Warm water 

■ EXAMPLES OF USE

For the protection of:  
- closed circuit water heaters for drinking water and process water.  
The safety valve is installed in the cold water inlet of the hot water heater.

**Not permitted in Germany.**

- water heaters for potable and process water and -storage tanks
- Safety valves are set and sealed at the factory.**

■ APPROVALS

|  |         |
|--|---------|
| <b>European Pressure Equipment Directive</b> |         |
| TSG ZF001-2006                               |         |
| TR ZU 032/2013 - TR ZU 010/2011              |         |
| Type approval ACS                            |         |
| <b>Requirements</b>                          |         |
| PED 2014/68/EU                               |         |
| <b>Classification society</b>                |         |
| American Bureau of Shipping                  | ABS     |
| DNVGL  | DNVGL   |
| Bureau Veritas                               | BV      |
| Russian Maritime Register of Shipping        | RS      |
| Lloyd's Register EMEA                        | LR EMEA |



■ MATERIAL



■ SPECIFICATION



1/2" – 2"



– 10°C to + 95°C



3,0 – 10 bar

■ MATERIALS

| Component      | Material                               | DIN EN | ASME      |
|----------------|--|--------|-----------|
| Inlet body     | Gunmetal                               | CC499K | CC499K    |
| Outlet body    | Gunmetal                               | CC499K | CC499K    |
| Internal parts | Brass                                  | CW617N | CW617N    |
| Spring         | Spring steel with anti-rust protection | 1.1200 | ASTM A228 |

|          |                         |   |
|----------|-------------------------|---|
| <b>m</b> | Standard with diaphragm | The diaphragm prevents the medium entering into the spring housing and protects moving parts from being affected by the medium. |
|----------|-------------------------|---|

## ■ MEDIUM

|           |                            |   |
|-----------|----------------------------|---|
| <b>WI</b> | Warm water (international) | Water heaters with temperatures $\leq 95^{\circ}\text{C}$ |
|-----------|----------------------------|---|

## ■ TYPE OF LIFTING MECHANISM

|          |  |
|----------|--|
| <b>K</b> | Standard with twist-type lifting mechanism |
|----------|--|

## ■ AVAILABLE NOMINAL DIAMETERS AND CONNECTION SIZES

| Nominal diameter DN | 15          | 20        | 25      | 32          | 40          | 50      |
|---------------------|-------------|-----------|---------|-------------|-------------|---------|
| <b>Inlet</b>        | 1/2" (15)   | 3/4" (20) | 1" (25) | 1 1/4" (32) | 1 1/2" (40) | 2" (50) |
| <b>Outlet</b>       | 1/2" (15)   | ■         |         |             |             |         |
|                     | 3/4" (20)   |           | ■       |             |             |         |
|                     | 1" (25)     |           |         | ■           |             |         |
|                     | 1 1/4" (32) |           |         |             | ■           |         |
|                     | 1 1/2" (40) |           |         |             |             | ■       |
| 2" (50)             |             |           |         |             |             | ■       |

## ■ TYPE OF CONNECTION INLET / OUTLET THREADED CONNECTIONS

|              |          |   |                                     |
|--------------|----------|---|-------------------------------------|
| <b>f / f</b> | Standard | Female thread BSP-P / Female thread BSP-P | DIN EN ISO 228-1 / DIN EN ISO 228-1 |
|--------------|----------|---|-------------------------------------|

## ■ SEALS

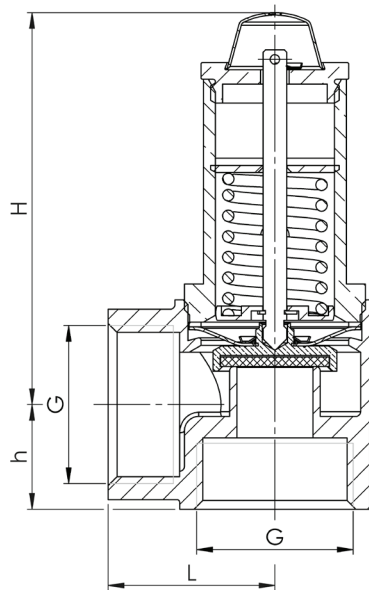
|             |                          |  |                |
|-------------|--------------------------|--|----------------|
| <b>EPDM</b> | Ethylene propylene diene | Elastomere flat seal and diaphragm (up to 100% glycol resistant) | -10°C to +95°C |
|-------------|--------------------------|--|----------------|

## ■ NOMINAL DIAMETERS, CONNECTIONS, INSTALLATION DIMENSIONS

| Series 651mWIK: Connection, installation dimensions, ranges of adjustment |     |           |           |          |             |             |          |
|---|-----|-----------|-----------|----------|-------------|-------------|----------|
| Nominal diameter  | DN  | 15        | 20        | 25       | 32          | 40          | 50       |
| Connection DIN EN ISO 228   | G   | 1/2" (15) | 3/4" (20) | 1" (25)  | 1 1/4" (32) | 1 1/2" (40) | 2" (50)  |
| Outlet DIN EN ISO 228   | G   | 1/2" (15) | 3/4" (20) | 1" (25)  | 1 1/4" (32) | 1 1/2" (40) | 2" (50)  |
| Installation dimensions in mm   | L   | 26        | 31        | 35       | 40          | 46          | 54       |
|   | H   | 70        | 70        | 80       | 100         | 140         | 155      |
|   | h   | 17        | 18        | 22       | 25          | 28          | 34       |
|   | SW  | 27        | 32        | 40       | 49          | 56          | 68       |
|   | do  | 10        | 13        | 16       | 18          | 22          | 25       |
| Weight  | kg  | 0,2       | 0,3       | 0,5      | 0,7         | 1,2         | 1,6      |
| Set pressure <sup>1</sup>   | bar | 6; 8; 10  | 6; 8; 10  | 6; 8; 10 | 6; 8; 10    | 6; 8; 10    | 6; 8; 10 |

<sup>1</sup>Other set pressures available on request against surcharge

## ■ MAIN DIMENSIONS, INSTALLATION DIMENSIONS



## ■ INDIVIDUAL SELECTION / VALVE CONFIGURATION

| Series | Valve version | Medium | Lifting device | Nominal diameter DN | Connection type |        | Connection size |        | Seal | Options | Set pressure | Quantity |
|--------|---------------|--------|----------------|---------------------|-----------------|--------|-----------------|--------|------|---------|--------------|----------|
|        |               |        |                |                     | Inlet           | Outlet | Inlet           | Outlet |      |         |              |          |
| 651    | m             | WI     | K              | 20                  | f               | f      | 20              | 20     | EPDM |         | 7,0          | 3        |
| 651    | m             | WI     | K              |                     | f               | f      |                 |        | EPDM |         |              |          |
| 651    | m             | WI     | K              |                     | f               | f      |                 |        | EPDM |         |              |          |
| 651    | m             | WI     | K              |                     | f               | f      |                 |        | EPDM |         |              |          |

## ■ ENQUIRY

Copy and send to: [order@goetze-armaturen.de](mailto:order@goetze-armaturen.de).

Order form easily to be found online under the section for each series.

| Series 651mWIK: Blowing-off rates at 0,6 bar or 10% above set pressure   |   |          |          |          |          |          |          |      |
|--|---|----------|----------|----------|----------|----------|----------|------|
| Nominal diameter DN  |   | 15       | 20       | 25       | 32       | 40       | 50       |      |
| Set pressure bar   |   | 6; 8; 10 | 6; 8; 10 | 6; 8; 10 | 6; 8; 10 | 6; 8; 10 | 6; 8; 10 |      |
| For 8000 liters or more the heating power determines the connection size |   |          |          |          |          |          |          |      |
| Warm water   | Contents of the service water tank in l | over to  | 120      | 120      | 1.000    | 1.000    | 1.000    |      |
|  | Heating output in Gcal/h                | 1 bar    |          |          |          | 12,6     | 18,4     | 22,2 |
|  |   | 2 bar    |          |          |          | 13,4     | 22,6     | 26,4 |
|  |   | 3 bar    |          |          |          | 16,8     | 23,6     | 30,0 |
|  |   | 4 bar    |          |          |          | 18,5     | 24,6     | 34,1 |
|  |   | 5 bar    |          |          |          | 17,6     | 28,5     | 37,3 |
|  |   | 6 bar    |          |          |          | 20,0     | 30,2     | 39,0 |
|  |   | 7 bar    |          |          |          | 23,5     | 35,2     | 41,0 |
|  |   | 8 bar    |          |          |          | 23,5     | 36,9     | 43,5 |
|  |   | 9 bar    |          |          |          | 24,4     | 38,7     | 44,1 |
|  |   | 10 bar   |          |          |          | 25,2     | 43,6     | 46,0 |