

→ Series 682



■ SUITABLE FOR

Liquids	neutral and non-neutral	
Air, gases and vapours	neutral and non-neutral	
Warm water		

■ EXAMPLES OF USE

For the protection of:

- domestic water supply systems
- commercial and industrial plants against an excess supply pressure.

Pressure reducers are used, if within a piping system despite of varying pressures on the inlet side a certain pressure must not be exceeded on the outlet side.

- potable water supply according to DIN 1988
- process water supply in industrial- and building technology applications
- fire-fighting equipment and sprinkler systems
- shipbuilding industry and offshore plants

■ APPROVALS

DIN-DVGW type examination (up to 80°C)

Type approval ACS

Type approval WRAS (up to 85°C)

TR ZU 032/2013 - TR ZU 010/2011

Requirements

DIN DVGW guidelines	DIN EN ISO 3822
DIN EN 1567	DGR 2014/68/EU
DIN 1988	

Classification society

DNVGL	DNVGL
Lloyd's Register EMEA	LR EMEA
American Bureau of Shipping	ABS
Bureau Veritas	BV
Russian Maritime Register of Shipping	RS
Registro Italiano Navale	RINA



■ MATERIAL



■ SPECIFICATION



DN 15 to DN 100



- 20°C to + 120°C



**Inlet pressure:**  
up to 40 bar  
**Outlet pressure:**  
0,5 to 15 bar  
depending on version

■ MATERIALS

Component	Material	DIN EN	ASME
Inlet body	Gunmetal	CC499K	CC499K
Outlet body	Gunmetal	CC499K	CC499K
Inner parts, wetted	Gunmetal	CC499K	CC499K
	Stainless Steel	1.4404	316 L
Spring	Spring steel with anti-rust protection	1.1200	ASTM A228
Strainer	Stainless Steel	1.4404	316 L

Series 682 ■ VALVE VERSION

<b>m</b>	with diaphragm	High-quality, heat-resistant moulded elastomere, fabric-reinforced diaphragm. Pressure adjustment by means of non-rising spindle. Valve insert with balanced single seat valve completely made of stainless steel.
<b>k</b>	with piston	Stainless steel piston (only for DN 100) Adjustment by means of non-rising spindle. Balanced single seat valve.
<b>Complete valve cartridge SP/HP (order code: 482 Insert-DN..-seal) available as replacement part can be exchanged without removing the valve.</b>		
<b>Complete valve cartridge LP (order code: 482 LP Insert-DN..-seal) available as replacement part can be exchanged without removing the valve.</b>		
Built-in dirt trap made of stainless steel.		
Mesh size:	DN 15 to DN 32 DN 40 to DN 80	0,60 mm 0,75 mm

■ MEDIUM

<b>GF</b>	gaseous and liquid	for water, neutral and non-sticking liquids, compressed air and neutral gases; optionally with FPM elastomere seals for non-neutral media i.e. oils, fuels, oil-laden compressed air, etc. Not suitable with steam.
-----------	--------------------	---

■ TYPE OF LIFTING MECHANISM

<b>0</b>	without lifting device
----------	------------------------

■ OUTLET PRESSURE RANGES

<b>SP</b>	Standard version	Inlet pressure: up to 16 bar (PN 16) or 40 bar (PN 40)	Outlet pressure: from 1 to 8 bar
<b>HP</b>	High-pressure version (not for DN 65 and DN 80)	Inlet pressure: up to 16 bar (PN 16) or 40 bar (PN 40)	Outlet pressure: from 5 to 15 bar (5 to 13 bar, DN 100 with piston)
<b>LP</b>	Low-pressure version (not for DN 65, DN 80 and DN 100)	Inlet pressure: up to 16 bar (PN 16) or 25 bar (PN 40)	Outlet pressure: from 0,5 to 2 bar

■ AVAILABLE NOMINAL DIAMETERS AND CONNECTION SIZES

<b>Nominal diameter DN</b>	<b>15</b>	<b>20</b>	<b>25</b>	<b>32</b>	<b>40</b>	<b>50</b>	<b>65</b>	<b>80</b>	<b>100</b>
<b>Inlet / Outlet</b>	15/15	20/20	25/25	32/32	40/40	50/50	65/65	80/80	100/100
	■	■	■	■	■	■	■	■	■

■ TYPE OF CONNECTION INLET / OUTLET FLANGE CONNECTIONS

<b>FL / FL</b>	Standard	Flange connection / flange connection	DIN EN 1092 / DIN EN 1092
----------------	----------	---------------------------------------	---------------------------

■ SEALS

<b>EPDM</b>	Ethylene propylene diene	Elastomere moulded diaphragm and seals approvals according to drinking water directive	-20°C to +120°C (up to 8 bar outlet pressure) -20°C to +95°C (from 8 bar outlet pressure)
<b>FKM</b>	Fluorocarbon	Elastomere moulded diaphragm and seals	-10°C to +120°C (up to 8 bar outlet pressure) -10°C to +95°C (from 8 bar outlet pressure)

■ NOMINAL DIAMETERS, CONNECTIONS, INSTALLATION DIMENSIONS

Series 682: Connection, installation dimensions, ranges of adjustment											
Connection		DN15	DN20	DN25	DN32	DN40	DN50	DN65	DN65	DN80	DN100
		PN16 / PN40	PN16 / PN40	PN16 / PN40	PN16 / PN40	PN16 / PN40	PN16 / PN40	PN16	PN40	PN16 / PN40	PN16
Inlet pressure SP, HP up to	bar	16 / 40	16 / 40	16 / 40	16 / 40	16 / 40	16 / 40	16	40	16 / 40	16
Inlet pressure LP up to	bar	16 / 25	16 / 25	16 / 25	16 / 25	16 / 25	16 / 25				
Outlet pressure	bar	0,5 – 2	0,5 – 2	0,5 – 2	0,5 – 2	0,5 – 2	0,5 – 2	1 – 8	1 – 8	1 – 8	1 – 8
		1 – 8	1 – 8	1 – 8	1 – 8	1 – 8	1 – 8				
		5 – 15	5 – 15	5 – 15	5 – 15	5 – 15	5 – 15				
Installation dimensions in mm	D	95	105	115	140	150	165	185	185	200	220
	L	130	150	160	180	200	230	290	290	310	350
	H (H1)	102 (128 <sup>1</sup> )	130 (150 <sup>1</sup> )	130 (150 <sup>1</sup> )	130 (150 <sup>1</sup> )	165 (185 <sup>1</sup> )	165 (185 <sup>1</sup> )	235	235	235	320 (340 <sup>3</sup> )
	H2 (H3)	124 (150 <sup>2</sup> )	161 (181 <sup>2</sup> )	161 (181 <sup>2</sup> )	161 (181 <sup>2</sup> )	198 (218 <sup>2</sup> )	198 (218 <sup>2</sup> )				
	h	46	50	55	68	73	80	89	89	96	112
	K / nxd	65 / 4xM12	75 / 4xM12	85 / 4xM12	100 / 4xM16	110 / 4xM16	125 / 4xM16	145 / 4xM16	145 / 8xM16	160 / 8xM16	180 / 8xM16
Pressure gauge connections											
Inlet pressure	G1							1/4" radial	1/4" radial	1/4" radial	1/4" axial
Outlet pressure	G1	1/4" axial	1/4" axial	1/4" axial	1/4" axial	1/4" axial	1/4" axial	1/4" radial	1/4" radial	1/4" radial	1/4" axial
Weight	kg	2,8 (3,1 <sup>1</sup> )	4,2 (4,6 <sup>1</sup> )	4,7 (5,1 <sup>1</sup> )	5,9 (6,3 <sup>1</sup> )	8,6 (9,3 <sup>1</sup> )	10,5 (11,2 <sup>1</sup> )	20	20	22	40 (43 <sup>3</sup> )
Coefficient of flow $K_{vs}^4$	m <sup>3</sup> /h	3	5,8	6,7	7,6	12,5	15	40	40	50	80

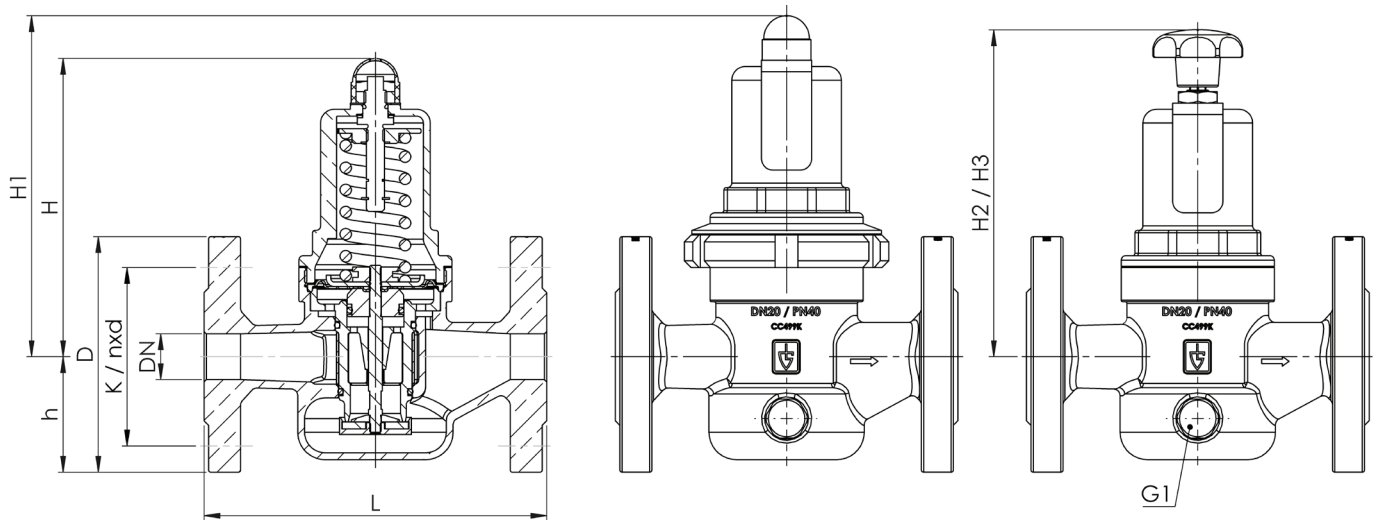
<sup>1</sup>for type 682mGFO-LP

<sup>2</sup>for type 682mGFO-LP S15

<sup>3</sup>for type 682kGFO-HP

<sup>4</sup>The  $K_{vs}$  value was determined according to DIN EN 60534-2-3. Instructions on how to determine size and capacity are to be found under section 2.

■ MAIN DIMENSIONS, INSTALLATION DIMENSIONS



Series	Valve version	Medium	Lifting device	Outlet pressure	Nominal diameter DN	Connection type		Connection size		Seal	Options	Optional: fixed setting	Quantity
						Inlet	Outlet	Inlet	Outlet				
682	m	GF	0	HP	50	FL	FL	50	50	EPDM			5
682	k	GF	0	SP	100	FL	FL	100	100	FKM	S71	7	2
682		GF	0			FL	FL						
682		GF	0			FL	FL						

### ■ PROPERTIES

<b>S15</b>	Hand wheel (plastic) for tool-free setting of setpressure <sup>1</sup>	<input type="checkbox"/>		<input type="checkbox"/>
<b>S17</b>	Supply with manometers suitable for the valve finish	<input type="checkbox"/>		<input type="checkbox"/>
<b>S71</b>	Preliminary setup for protection against manipulation of the preset pressure (seal)	<input type="checkbox"/>		<input type="checkbox"/>

<sup>1</sup>For nominal diameters DN15 to DN50 outlet pressure ranges LP and SP

### ■ OPTIONS

<b>GOX</b>	Especially for gaseous O2 applications by employment of specific materials including oil- and grease free production process	<input type="checkbox"/>	<b>P03</b>	Galvanically nickel-plated finish	<input type="checkbox"/>
<b>P01</b>	Oil- and grease-free production	<input type="checkbox"/>	<b>FE</b>	Setting and sealing	<input type="checkbox"/>
<b>P02</b>	Chemically nickel-plated finish	<input type="checkbox"/>			<input type="checkbox"/>

### ■ CERTIFICATES / APPROVALS

<b>C01</b>	Factory certificate acc. DIN EN 10204 2.2 (WKZ 2.2)	<input type="checkbox"/>	<b>C05</b>	Sealing material Manufacturer certification (FDA, USP 3, 3-A,...), Please indicate description of certificate: .....	<input type="checkbox"/>
<b>C02</b>	Test certificate acc. DIN EN 10204 3.1 (WPZ 3.1)	<input type="checkbox"/>	<b>C06</b>	ATEX evaluation acc. to 2014/34/EU	<input type="checkbox"/>
<b>C03</b>	Material test certificate acc. DIN EN 10204 3.1 (MPZ 3.1) (pressure retaining part)	<input type="checkbox"/>	<b>C10</b>	Certificate of oil- and grease free production	<input type="checkbox"/>
<b>C04</b>	TÜV/DEKRA individual inspection acc. EN 10204 3.2 (TÜV/DEKRA-APZ)	<input type="checkbox"/>			<input type="checkbox"/>

### ■ ADMISSIONS / ACCREDITATIONS

<b>AA1</b>	EC Type examination acc. to Directive 2014/68/EU	<input checked="" type="checkbox"/>	<b>AK1</b>	DNV-GL (DNVGL) type approval	<input type="checkbox"/>
<b>AA4</b>	EAC - certificate/declaration with passport for the valve and laser marking of the valve	<input type="checkbox"/>	<b>AK2</b>	Lloyd's Register (LR) type approval	<input type="checkbox"/>
<b>AB1</b>	Deutscher Verein des Gas- und Wasserfaches, DVGW type approval	<input type="checkbox"/>	<b>AK3</b>	American Bureau of Shipping (ABS) type approval	<input type="checkbox"/>
<b>AB2</b>	Water regulations and advisory scheme WRAS type approval	<input type="checkbox"/>	<b>AK4</b>	Bureau Veritas (BV) type approval	<input type="checkbox"/>
<b>AB3</b>	Attestation de Conformité Sanitaire, ACS type approval	<input type="checkbox"/>	<b>AK5</b>	Russian Maritime Register of Shipping (RMRS) type approval	<input type="checkbox"/>
		<input type="checkbox"/>	<b>AK6</b>	Registro Italiano Navale (RINA) type approval	<input type="checkbox"/>
		<input type="checkbox"/>	<b>AL</b>	Individual inspection by notified body inspector – (body to be indicated): .....	<input type="checkbox"/>

### ■ ENQUIRY

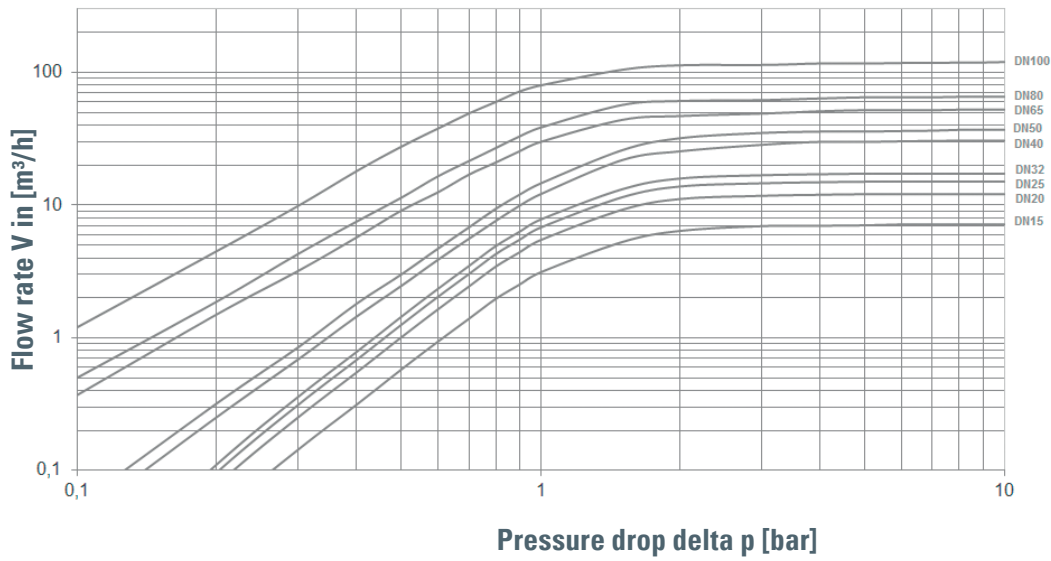
Copy and send to: [order@goetze-armaturen.de](mailto:order@goetze-armaturen.de).

Order form easily to be found online under the section for each series.

Series 682:

Dimensioning by pressure loss on the outlet pressure side

**Flow chart water**



Dimensioning by flow velocity

**For liquids:**

With help of the chart you can determine the nominal diameter (DN) for a given flow volume V (m³/h). According to DVGW-guidelines (DIN 1988) a flow velocity of 2 m/s in domestic water supply systems should not be exceeded.

**For compressed air and other gaseous media:**

The usual flow velocity for compressed air is 10 - 20 m/s. For gaseous media the flow volume V should always be shown in actual cubic meters/hour. If the flow volume is given in standard cubic meters, these should be converted into actual cubic meters before using the diagram.

$$V(\text{m}^3/\text{h}) = \frac{V_{\text{Norm}} (\text{Nm}^3/\text{h})}{p_{\text{absolut}} (\text{bar})} = \frac{V_{\text{Norm}}}{p_{\text{U}} + 1}$$

Actual cubic meters are based on the prevailing pressure of the medium on the outlet side of the pressure reducer.

