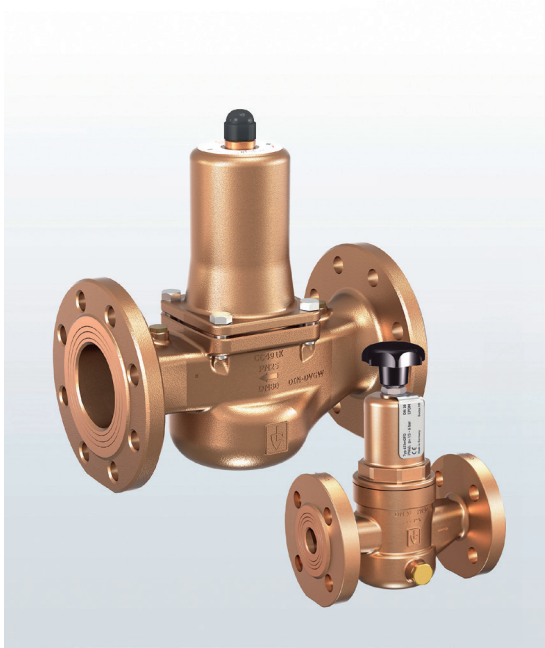


Overflow and pressure control valves  
made of gunmetal, straightway form  
with flange connections  
-external adjustment-

→ Series 631



■ MATERIAL



■ SPECIFICATION



DN 15 to DN 100 – 20°C to + 120°C 0,5 – 10 bar

■ SUITABLE FOR

Liquids	neutral and non-neutral	
Air, gases and vapours	neutral and non-neutral	

■ EXAMPLES OF USE

For the protection of:

- pumps against overloading in closed circuits for neutral / non-neutral, non-sticking liquids

For the control of:

- systems under pressure for air, neutral / non-neutral gases and vapours

- industrial plants
- power plant technology
- pump stations
- mechanical engineering

■ APPROVALS

European Pressure Equipment Directive

TR ZU 032/2013 - TR ZU 010/2011

Requirements

PED 2014/68/EU

Classification society

DNVGL	DNVGL
Lloyd's Register EMEA	LR EMEA
American Bureau of Shipping	ABS
Bureau Veritas	BV
Russian Maritime Register of Shipping	RS
Registro Italiano Navale	RINA

■ MATERIALS

Component	Material	DIN EN	ASME
Inlet body	Gunmetal	CC499K	CC499K
Outlet body	Gunmetal	CC499K	CC499K
Internal parts	Gunmetal	CC499K	CC499K
	Brass	CW617N	CW617N
	Stainless steel	1.4404	316 L
Valve seat	Stainless steel	1.4404	316 L
Spring	Spring steel with anti-rust protection	1.1200	ASTM A228

m with diaphragm

High-quality, heat-resistant moulded elastomere, fabric-reinforced diaphragm. Valves in straightway form, closed version. Can be adjusted under operating conditions without medium escaping into the atmosphere. Adjustment can be directly read-off an optional pressure gauge (accessory). Optimal control response and large flow volumes even in cases of small pressure differences due to diaphragm operating principle.

Complete valve cartridge available as replacement part (order code: 431 cartridge-DN..-seal) can be exchanged without removing the valve.

Valves can be delivered unset within a pressure range or set and sealed at the factory (against surcharge).

#### ■ MEDIUM

GF gaseous and liquid

for water, neutral and non-sticking liquids, compressed air and neutral gases; optionally with FPM elastomere seals for non-neutral media i.e. oils, fuels, oil-laden compressed air, etc.

#### ■ TYPE OF LIFTING MECHANISM

0 without lifting device

#### ■ AVAILABLE NOMINAL DIAMETERS AND CONNECTION SIZES

Nominal diameter DN	15	20	25	32	40	50	65	80	100
Inlet / Outlet	15/15	20/20	25/25	32/32	40/40	50/50	65/65	80/80	100/100
	■	■	■	■	■	■	■	■	■

#### ■ TYPE OF CONNECTION INLET / OUTLET FLANGE CONNECTIONS

FL / FL Standard Flange connection / flange connection DIN EN 1092 / DIN EN 1092

#### ■ SEALS

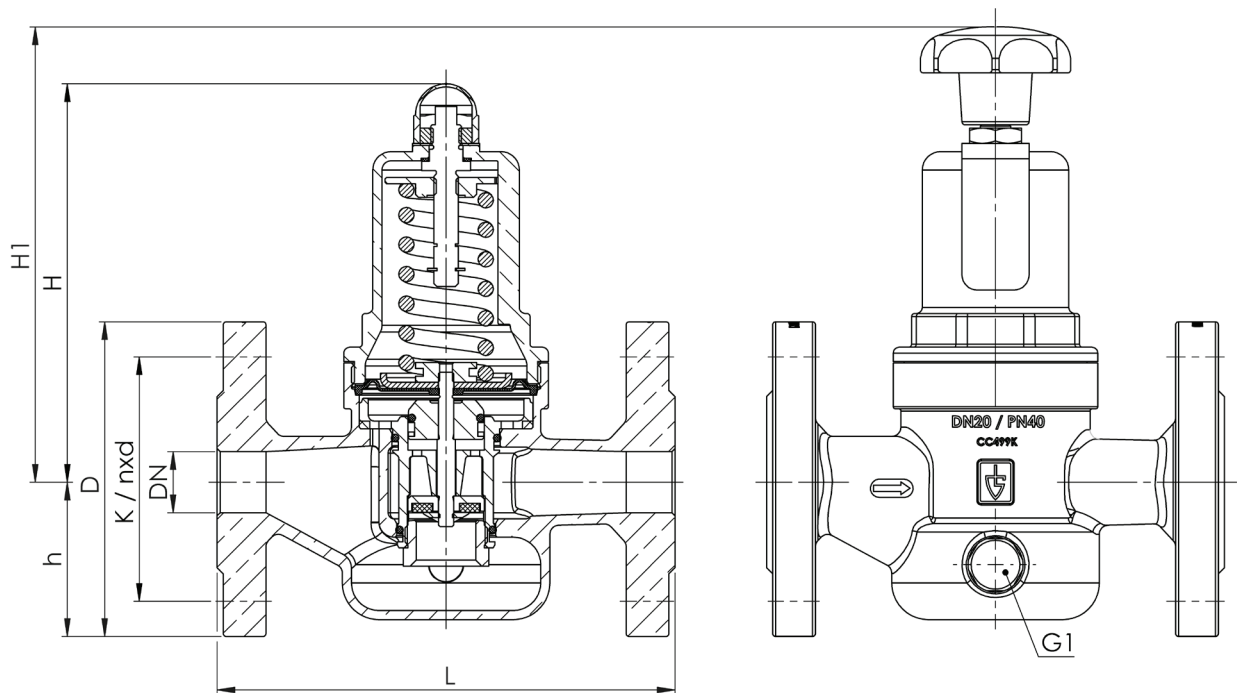
EPDM	Ethylene propylene diene	Elastomere moulded diaphragm and seals approvals according to drinking water directive	-20°C to +120°C (up to 8 bar outlet pressure) -20°C to +95°C (from 8 bar outlet pressure)
FKM	Fluorocarbon	Elastomere moulded diaphragm and seals	-10°C to +120°C (up to 8 bar outlet pressure) -10°C to +95°C (from 8 bar outlet pressure)

■ NOMINAL DIAMETERS, CONNECTIONS, INSTALLATION DIMENSIONS

Series 631: Connection, installation dimensions, ranges of adjustment											
Nominal diameter	DN / PN	15/40	20 / 40	25 / 40	32 / 40	40 / 40	50 / 40	65 / 16	65 / 40	80 / 40	100 / 16
Inlet DIN EN 1092	DN	15	20	25	32	40	50	65	65	80	100
Outlet DIN EN 1092	DN	15	20	25	32	40	50	65	65	80	100
Installation dimensions in mm	L	130	150	160	180	200	230	290	290	310	350
	D	95	105	115	140	150	165	185	185	200	220
	H	102	130	130	130	166	166	245	245	245	320
	H1	124	161	161	161	198	198				
	h	46	50	55	68	73	80	89	89	97	112
	K / nxd	65 / 4xM12	75 / 4xM12	85 / 4xM12	100 / 4xM16	110 / 4xM16	125 / 4xM16	145 / 4xM16	145 / 8xM16	160 / 8xM16	180 / 8xM16
Pressure gauge connection	G1	1/4" axial	1/4" axial	1/4" axial	1/4" axial	1/4" axial	1/4" axial	1/4" radial	1/4" radial	1/4" radial	1/4" axial
Weight	kg	2,8	4,2	4,7	5,9	8,6	10,5	20	20	22	40
Set pressure	bar	0,5-10	0,5-10	0,5-10	0,5-10	0,5-10	0,5-10	1-6	1-6	1-6	0,5 - 5,5
Range of adjustment	bar	0,5-2	0,5-2	0,5-2	0,5-2	0,5-2	0,5-2				
		1,5-6	1,5-6	1,5-6	1,5-6	1,5-6	1,5-6	1-6	1-6	1-6	0,5 - 5,5
		5,5-10	5,5-10	5,5-10	5,5-10	5,5-10	5,5-10				
Coefficient of flow $K_{vs}$	m <sup>3</sup> /h	2,1	4,7	5,1	5,5	10,5	11,5	20,5	20,5	21,5	43,8

The  $K_{vs}$  value was determined according to DIN EN 60534-2-3. Instructions on how to determine size and capacity are to be found under section 2.

■ MAIN DIMENSIONS, INSTALLATION DIMENSIONS



Series	Valve version	Medium	Lifting device	Nominal diameter DN	Connection type		Connection size		Seal	Options	Pressure range / set pressure	Quantity
					Inlet	Outlet	Inlet	Outlet				
631	m	GF	0	20	FL	FL	20	20	EPDM	S71	5,0	4
631	m	GF	0	65	FL	FL	65	65	FKM	P01	1 - 6	1
631	m	GF	0		FL	FL						
631	m	GF	0		FL	FL						

#### ■ TECHNICAL FINISHES, VARIANTS, ACCESSORIES

<b>S15</b>	Hand wheel (plastic) for tool-free setting of setpressure <sup>1</sup>	<input type="checkbox"/>	<input type="checkbox"/>
<b>S17</b>	Supply with manometers suitable for the valve finish	<input type="checkbox"/>	<input type="checkbox"/>
<b>S71</b>	Preliminary setup for protection against manipulation of the preset pressure (seal)	<input type="checkbox"/>	<input type="checkbox"/>

<sup>1</sup>For nominal diameters DN15 to DN50 for the pressure ranges 0,5-2 and 1,5-6,0 bar

#### ■ PROPERTIES

<b>GOX</b>	Especially for gaseous O <sub>2</sub> applications by employment of specific materials including oil- and grease free production process	<input type="checkbox"/>	<b>P03</b>	Galvanically nickel-plated finish	<input type="checkbox"/>
<b>P01</b>	Oil- and grease-free production	<input type="checkbox"/>	<b>P04</b>	Chrome-plated finish	<input type="checkbox"/>
<b>P02</b>	Chemically nickel-plated finish	<input type="checkbox"/>	<b>FE</b>	Setting and sealing	<input type="checkbox"/>

#### ■ CERTIFICATES / APPROVALS

<b>C01</b>	Factory certificate acc. DIN EN 10204 2.2 (WKZ 2.2)	<input type="checkbox"/>	<b>C06</b>	ATEX evaluation acc. to 2014/34/EU	<input type="checkbox"/>
<b>C02-1</b>	Test certificate acc. DIN EN 10204 3.1 (WPZ 3.1) for non TÜV-CE valves marking of individual serial number is required	<input type="checkbox"/>	<b>C10</b>	Certificate of oil- and grease free production	<input type="checkbox"/>
<b>C03</b>	Material test certificate acc. DIN EN 10204 3.1 (MPZ 3.1) (pressure retaining part)	<input type="checkbox"/>	<b>C11</b>	Certification of the production process especially for gaseous oxygen applications by employment of specific materials	<input type="checkbox"/>
<b>C05</b>	Sealing material Manufacturer certification (FDA, USP 3, 3-A,...), Please indicate description of certificate: .....	<input type="checkbox"/>			<input type="checkbox"/>

#### ■ ADMISSIONS / ACCREDITATIONS

<b>AA1</b>	EC Type examination acc. to Directive 2014/68/EU	<input type="checkbox"/>	<b>AK1</b>	DNV-GL (DNVGL) type approval	<input type="checkbox"/>
<b>AA4</b>	EAC - certificate/declaration with passport for the valve and laser marking of the valve	<input type="checkbox"/>	<b>AK2</b>	Lloyd's Register (LR) type approval	<input type="checkbox"/>
	<input type="checkbox"/>		<b>AK3</b>	American Bureau of Shipping (ABS) type approval	<input type="checkbox"/>
	<input type="checkbox"/>		<b>AK4</b>	Bureau Veritas (BV) type approval	<input type="checkbox"/>
	<input type="checkbox"/>		<b>AK5</b>	Russian Maritime Register of Shipping (RMRS) type approval	<input type="checkbox"/>
	<input type="checkbox"/>		<b>AK6</b>	Registro Italiano Navale (RINA) type approval	<input type="checkbox"/>
	<input type="checkbox"/>		<b>AL</b>	Individual inspection by notified body inspector – (body to be indicated): .....	<input type="checkbox"/>

#### ■ ENQUIRY

Copy and send to: [order@goetze-armaturen.de](mailto:order@goetze-armaturen.de).

Order form easily to be found online under the section for each series.

■ CAPACITY TABLE

Series 631: Kv values at 1 bar overpressure																	
Nominal diameter DN	15		20		25		32		40		50		65	80	100		
	Air [Nm <sup>3</sup> /h]																
Pressure range bar	0,5-2	5,5-10		1,5-6		0,5-2		5,5-10		1,5-6		0,5-2		5,5-10		1,5-6	1-6
Set pressure bar	1,5-6		0,5-2		5,5-10		1,5-6		0,5-2		5,5-10		1,5-6		1-6	1-5,5	
0,5	73		175		189		193		417		445						
1	89		208		231		239		498		537		945	1010	1230		
1,5	102	103	247	175	264	185	273	196	587	370	624	408	1020	1115	1350		
2	117	119	285	214	303	226	314	238	636	429	683	472	1255	1315	1510		
3	146		245		282		291		506		557		1480	1620	1820		
4	170		292		330		338		543		615		1810	1890	2090		
5	187		329		367		379		625		684		1895	2060	2320		
5,5	195	139	354	173	386	183	394	186	653	375	719	417	1930	2150	2450		
6	203	147	375	186	405	194	418	202	708	395	760	443	1965	2230			
7	162		210		223		229		400		502						
8	179		249		259		264		407		517						
9	218		273		285		289		432		564						
10	255		294		303		314		465		601						

Kv values at 1 bar overpressure																	
Nominal diameter DN	15		20		25		32		40		50		65	80	100		
	Water [m <sup>3</sup> /h]																
Pressure range bar	0,5-2	5,5-10		1,5-6		0,5-2		5,5-10		1,5-6		0,5-2		5,5-10		1,5-6	1-6
Set pressure bar	1,5-6		0,5-2		5,5-10		1,5-6		0,5-2		5,5-10		1,5-6		1-6	1-5,5	
0,5	2,7		5,1		5,5		6,2		12,4		12,9						
1	2,9		5,4		6,1		6,9		12,9		13,8		23,0	26,0	31,0		
1,5	3,4	3,1	5,9	5,2	6,6	5,6	7,5	6,4	13,2	9,0	14,4	9,4	24,0	26,0	31,7		
2	3,6	3,2	6,3	5,2	6,9	5,7	7,8	6,4	13,5	9,1	14,9	9,4	25,0	27,0	33,0		
3	3,3		5,3		5,9		6,5		9,3		9,5		26,0	29,0	34,5		
4	3,4		5,3		6,1		7,2		9,5		9,9		28,0	30,0	36,0		
5	3,3		5,4		6,2		7,5		9,7		10,2		28,0	31,0	38,7		
5,5	3,0	2,3	5,2	2,9	5,8	3,2	6,9	4,1	10,1	7,2	10,5	7,7	28,0	32,0	40,0		
6	2,9	2,4	5,1	3,0	5,4	3,3	6,7	4,2	10,4	7,3	10,9	8,0	29,0	32,0			
7	2,4		3,3		3,9		4,5		7,5		8,1						
8	2,4		3,2		3,8		4,4		7,3		7,8						
9	2,3		3,1		3,7		4,2		6,9		7,4						
10	2,2		3,1		3,6		4,0		6,5		7,1						