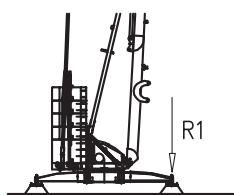


GRU A MONTAGGIO RAPIDO
 GRUE A MONTAGE RAPIDE
 GRUA DE RAPIDO MONTAJE
 GRUA DE MONTAGEM RAPIDA
 QUICK SELFERECTING CRANE
 HYDRAULISCHER SCHNELLMONTAGEKRAN

Curve di carico – Courbes de charges – Load diagrams – LastKurven – Curvas de cargas

	<table border="1"> <tr> <td>3</td> <td>19</td> <td>21</td> <td rowspan="2">m</td> </tr> <tr> <td>1800</td> <td>850</td> <td>700</td> <td>kg</td> </tr> </table>	3	19	21	m	1800	850	700	kg						
3	19	21	m												
1800	850	700		kg											
	<table border="1"> <tr> <td>3</td> <td>22</td> <td>23,8</td> <td rowspan="2">m</td> </tr> <tr> <td>600</td> <td>600</td> <td>600</td> <td>kg</td> </tr> </table>	3	22	23,8	m	600	600	600	kg						
3	22	23,8	m												
600	600	600		kg											
	<table border="1"> <tr> <td>3</td> <td>11,2</td> <td>12</td> <td>16</td> <td>20</td> <td>24</td> <td rowspan="2">m</td> </tr> <tr> <td>1800</td> <td>1800</td> <td>1650</td> <td>1155</td> <td>875</td> <td>700</td> <td>kg</td> </tr> </table>	3	11,2	12	16	20	24	m	1800	1800	1650	1155	875	700	kg
3	11,2	12	16	20	24	m									
1800	1800	1650	1155	875	700		kg								
	<table border="1"> <tr> <td>3</td> <td>12,5</td> <td rowspan="2">m</td> </tr> <tr> <td>1800</td> <td>1800</td> <td>kg</td> </tr> </table>	3	12,5	m	1800	1800	kg								
3	12,5	m													
1800	1800		kg												

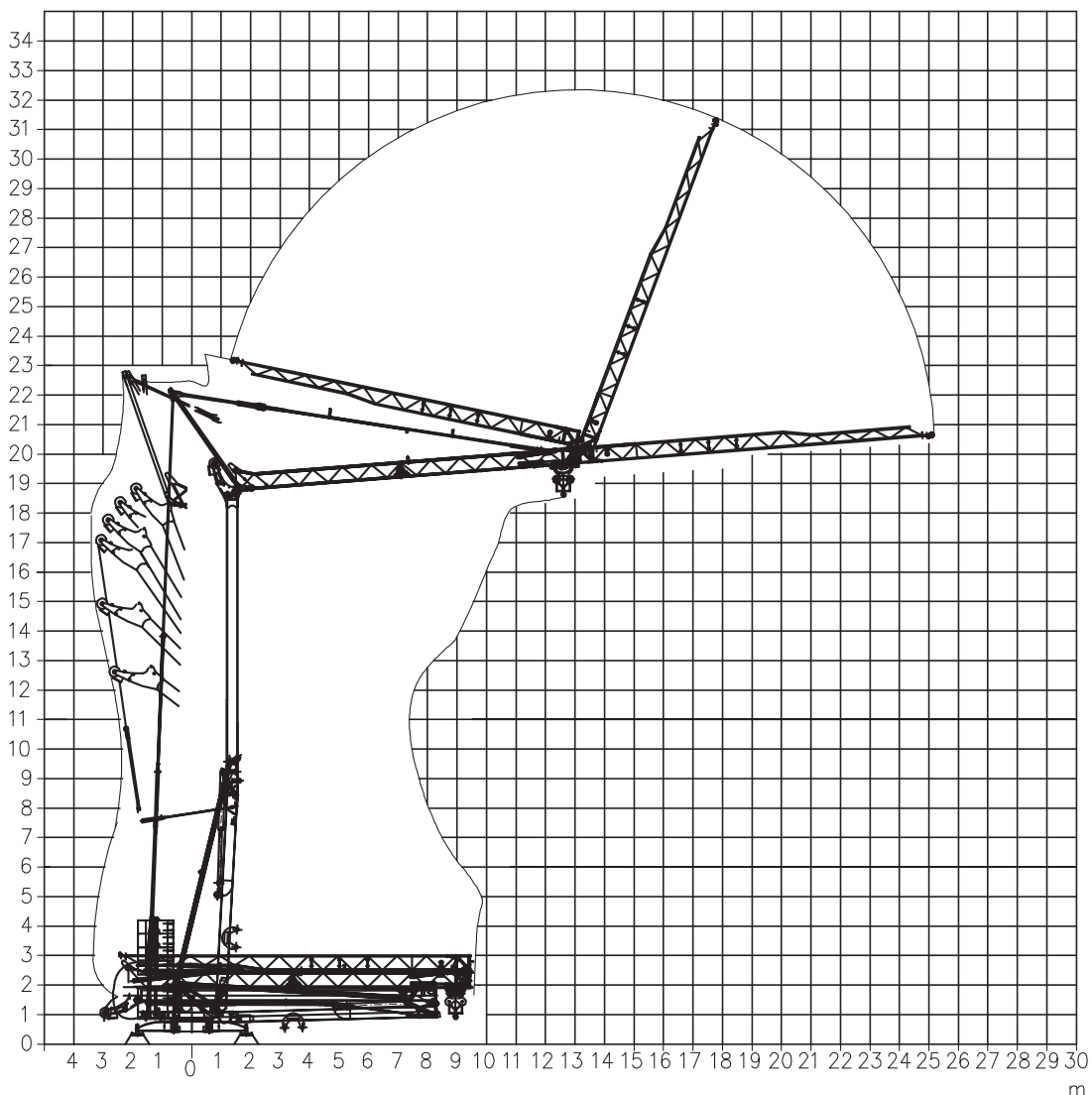
Reazioni – Reactions – Réactions – Eckdrücke – Reacciones



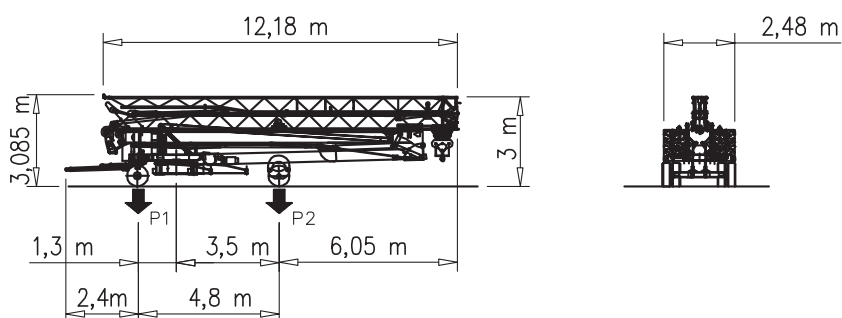
R1 ● 12 t ■ 10 t
 ▲ 7,4 t ○ 11,9 t

- | | | |
|-------------------------------|---------------------------------------|--------------------------------------|
| ● Reazioni in servizio | ● Reactions in service | ● Réactions en service |
| ■ Reazioni fuori servizio | ■ Reactions out of service | ■ Réactions hors service |
| ▲ Peso della gru senza assali | ▲ Dead weight without transport axles | ▲ Poids de construction sans essieux |
| ○ Peso zavorra rotante | ○ Ballast weight | ○ Poids du lest |
-
- | | | |
|--|--|---|
| ● Reaktionskräfte in betrieb | ● Reacciones en servicio | ● Em serviço |
| ■ Reaktionskräfte außer betrieb | ■ Reacciones fuera de servicio | ■ Fora de serviço |
| ▲ Konstruktionsgewicht ohne transportachse | ▲ Peso de la grua sin tren de transporte | ▲ Peso de la grua sem carro de transporte |
| ○ Ballastgewicht | ○ Peso de lastre | ○ Peso de lastre rotativo |

Montaggio – Montage – Erection – Montage – Montaje



Trasporto – Transport – Transport – Transport – Transporte



P1	Kg	7060
P2	Kg	6300
Ptot	Kg	13360

V7,5.30 230 Volt Sollevamento Hoisting Levage Heben Elevaciòn Elevaçao							V7,5.30 5.5 kW (7.5 Hp) 2–11 kVA
	m/min	4	11	25			
	t	1.8	1.8	0.7			
		4	16	30			
		1.8	1.8	0.7			

V7,5.30 400 Volt Sollevamento Hoisting Levage Heben Elevaciòn Elevaçao							V7,5.30 5.5 kW (7.5 Hp) 11 kVA
	m/min	4	11	30			
	t	1.8	1.8	0.7			
		4	16	30			
		1.8	1.8	0.7			

Carrello Trolleying Distribuciòn Katzfahren Distribuiçao			2a	0 → 30	m/min	2.2 kW (Hp 3)
			1a			
Rotazione Slewing Orientaciòn Schwenken Rotaçao			1a	0 → 0.8	giri/min tr/min rp/min	2.2 kW (Hp 3)
			2a			
			3a			

Rete elettrica – Réseau – Mains supply – Netzstrom – Red	230/400V – 50 Hz
--	------------------

Potenza elettrica necessaria – Puissance électrique nécessaire Necessary electric power – Anschlusswert – Potencia electrica necesaria	1/3PH 2–11 kVA
---	----------------

FMgru s.r.l. via Emilia 11–29010 Pontenure PC ITALY tel. 0523/510446 ric.aut. fax 0523/510365 www.fmgru.it e-mail: info@fmgru.com
--

FEM 1.001–A3 2000/14/CE



Documento commerciale non contrattuale
Per tutte le informazioni tecniche riferirsi
alle corrispondenti istruzioni

Unverbindliches Vertriebsdokument.
Für technische Informationen, siehe die
entsprechenden Anweisungen.

This commercial document is not legally
binding. For any technical information, please
refer to the corresponding instructions.

Documento comercial no contractual
Para cualquier información técnica,
ver la noticia correspondiente.

Code: 15ICA37B32A0			
Ed.	Data	Rev	Data
1	12.04.07	2	18.03.10